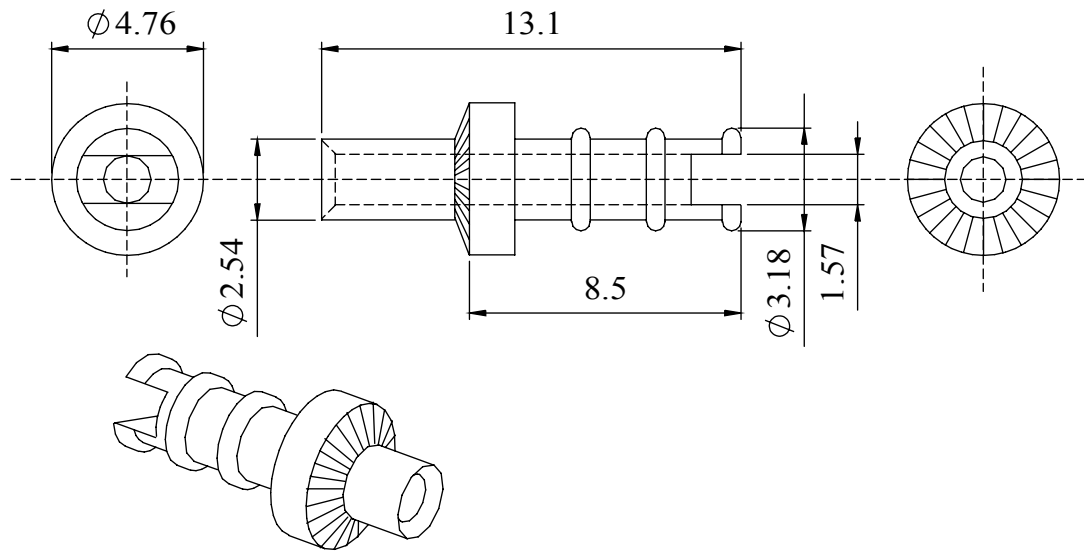


A standard turret tag, suitable for use with any fibreglass or SRBP insulating board. Supplied in a bag of 100 tags, complete with punch to aid insertion. A smaller turret tag is also available (see 356-0100).

Dimensions



MATERIAL

Brass,
BS 2874 CZ 124
Silver plated

Supplied in a bag of
100 turret tags

Tel No. +44(0)1724 273200 Website www.dem-uk.com

PROPRIETARY AND CONFIDENTIAL

THE INFORMATION CONTAINED IN THIS DRAWING IS THE SOLE PROPERTY OF ALPHA 3 MANUFACTURING. ANY REPRODUCTION IN PART OR AS A WHOLE WITHOUT THE WRITTEN PERMISSION OF ALPHA 3 MANUFACTURING IS PROHIBITED.

UNLESS OTHERWISE SPECIFIED:
DIMENSIONS ARE IN MILLIMETRES
LINEAR TOLERANCE:
NO DECIMAL PLACES $\pm 0.5\text{mm}$
1 DECIMAL PLACE $\pm 0.25\text{mm}$
2 DECIMAL PLACES $\pm 0.125\text{mm}$
ANGULAR TOLERANCE: $\pm 1^\circ$



DEM Manufacturing, Deltron Emcon House
Hargreaves Way, Sawcliffe Ind. Park,
Scunthorpe, North Lincolnshire, DN15 8RF, UK

FINISH

TURRET TAG
STANDARD

DEBURR AND BREAK
SHARP EDGES

DRAWN BY

SPB

TITLE GENERAL SPECIFICATION

356-0200
TURRET TAG

APPROVED BY

WC

THIRD ANGLE PROJECTION

SHEET 1 OF 1

SCALE 1:1

DRAWING NO.

356-0200

ISSUE

03

Release

MATERIAL

SEE NOTE



A4