

Interchangeable jaw grip, soft

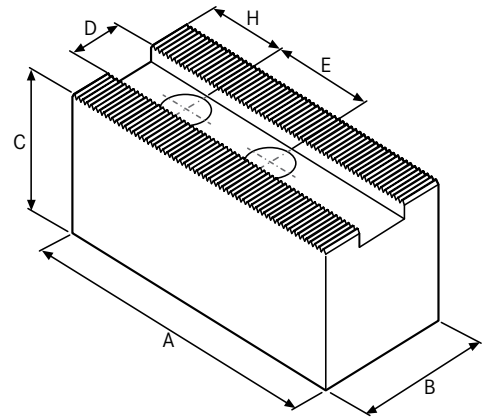
Made from steel

ATORN[®]

Delivery

3 pieces in a set

Art. No.	22430 493
Jaws length	70 mm
Jaws width	35 mm
Jaws height	100 mm
Jaw length x jaw width x jaw height	70 x 35 x 100 mm
Groove width	14 mm
Drilling clearance	16.5 mm
Toothing	1/16 inch x 90°
Suitable for thread	M10
Material of the jaws	Steel



EAN-Code

4050293686265