

NOTES:

1. MATERIALS AND FINISHES:
 SHELL, WASHER, BODIES - BRASS, NICKEL PLATING
 OUTER CONTACT - PHOSPHOR BRONZE, NICKEL PLATING
 SPRING - BeCu, NICKEL PLATING
 FRONT CONTACT - ZINC DIE CAST, GOLD PLATING
 REAR CONTACT - PHOSPHOR BRONZE, GOLD PLATING
 FERRULE - COPPER, NICKEL PLATING
 INSULATORS - PTFE, NATURAL.
 GASKET - SILICONE RUBBER, RED.
2. ELECTRICAL:
 A. IMPEDANCE: 50 OHM
 B. FREQUENCY RANGE: DC - 4 GHz
 C. DIELECTRIC WITHSTANDING VOLTAGE: 1500 VRMS, MIN.
3. MECHANICAL:
 A. DURABILITY : 500 CYCLES
 B. TEMPERATURE RANGE : -65°C TO +165°C

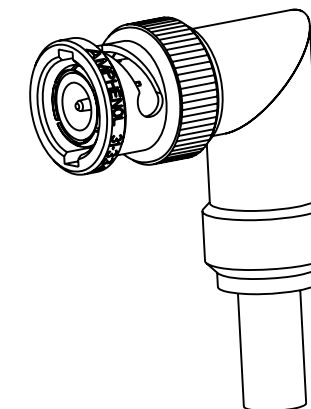
4. PACKAGING:
 A. QUANTITY: SINGLE PACK
 B. MARKING: BAG TO BE MARKED
 "AMPHENOL RF, 31-334, AND DATE CODE"
5. CABLE ASSEMBLY INSTRUCTIONS
 A. TRIM CABLE AS SHOWN.
 B. SLIDE FERRULE ONTO THE CABLE.
 C. CRIMP OR SOLDER CABLE CENTER CONDUCTOR TO CENTER CONTACT.
 CRIMP CONTACT WITH AMPHENOL TOOL 227-944(M22520/5-01) AND DIE SET
 227-1221-11 CAVITY B (M22520/5-11 CLOSURE B), (.068" HEX).
 D. CRIMP FERRULE WITH AMPHENOL TOOL 227-944(M22520/5-01) AND
 DIE SET 227-1221-11 CAVITY A (M22520/5-11 CLOSURE A), (.213" HEX).

6 SHOWS CABLE ENTRY DIMENSIONS.

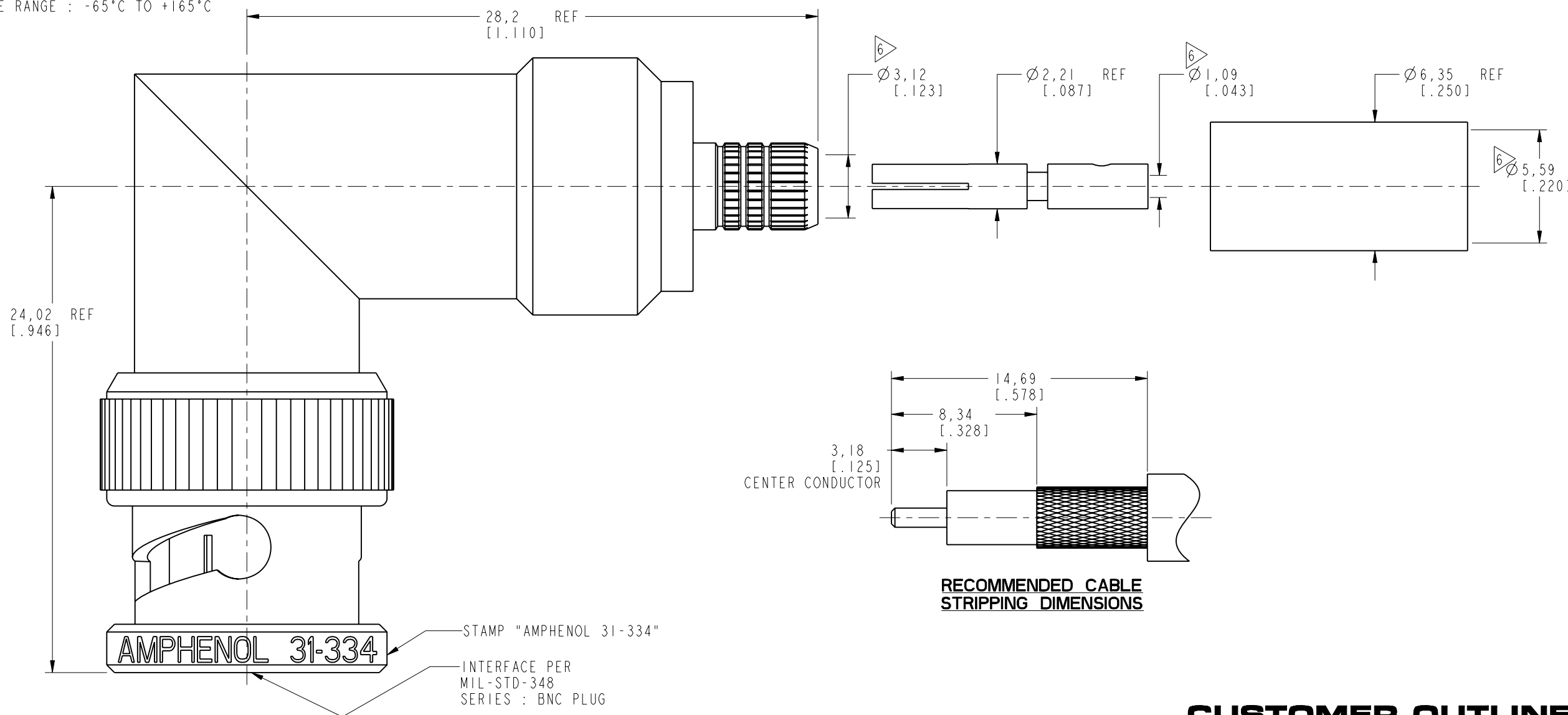
THIRD ANGLE PROJ.

REVISIONS

REV	DESCRIPTION	DATE	ECO	APPR
B	SEE SHEET 1	18-Nov-05	--	--
C	SEE SHEET 1	04-Mar-08	--	ANGELA.W
U	REDRAWN TO UPDATE FORMAT	11-Feb-09	47239	S.HSIEH
V	REDRAWN IN PRO-E	10-Jul-14	49949	SH



SCALE 1.300



RECOMMENDED CABLE STRIPPING DIMENSIONS

CUSTOMER OUTLINE DRAWING

ALL OTHER SHEETS ARE FOR INTERNAL USE ONLY

UNLESS OTHERWISE SPECIFIED, DIMENSIONS ARE IN METRIC AND TOLERANCES ARE: <0.5mm ±0.05mm 0.5 - 6mm ±0.1mm 6 - 30mm ±0.2mm 30 - 120mm ±0.3mm ANGLES ±1°	MATERIAL	DRAWN	DATE	TITLE BNC R/A PLUG MIL-CRIMP FOR RG55 & 142/U CABLE		Amphenol RF www.amphenolrf.com		
	SEE NOTES	JEKY.C	05-Jul-14					
NOTICE - These drawings, specifications, or other data (1) are, and remain the property of Amphenol corp. (2) must be returned upon request; and (3) are confidential and not to be disclosed to any person other than those to whom they are given by Amphenol Corp. the furnishing of these drawings, specifications, or other data by Amphenol Corp., or to any other person to anyone for any purpose is not to be regarded by implication or otherwise in any manner licensing, granting rights to permitting such holder or any other person to manufacture, use or sell any product, process or design, patented or otherwise, that may in any way be related to or disclosed by said drawings, specifications, or other data.	REFERENCE EAR #	ENGINEER	DATE	SCALE: 4.3:1.0		SHEET 2 OF 2		
	CONFIGURATION LEVEL: <input type="checkbox"/> <input type="checkbox"/> <input type="checkbox"/> <input type="checkbox"/>	APPROVED	CISSY	04-Mar-08	DWG SIZE		REV	
	FINISH	S.HSIEH		05-Jul-14	B		V	
		CAD FILE				PART NO.31-334		
						DRAWING NO.31-334		
						ITEM NO.31-334		