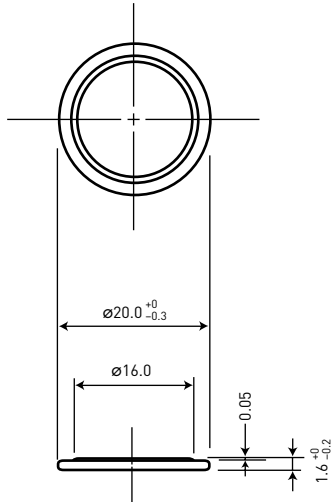
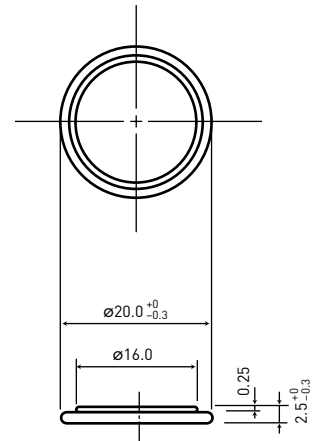


CR-2016

DIMENSIONS (MM)



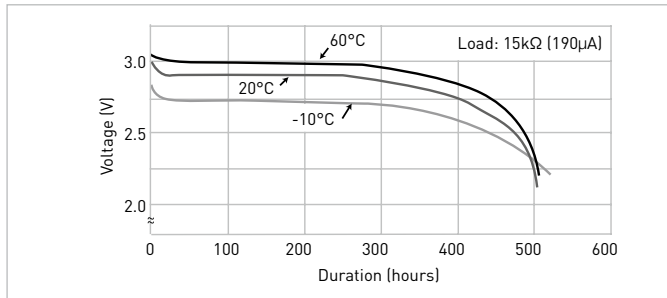
CR-2025



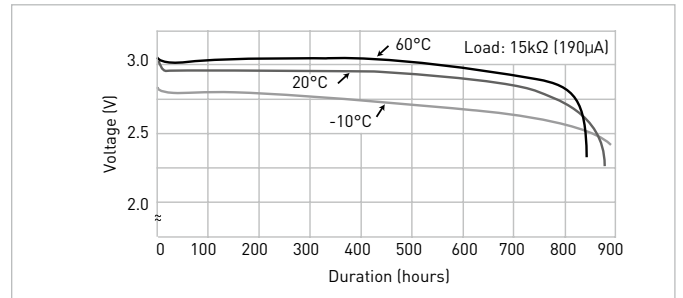
Model number	CR-2016
Nominal voltage (V)	3
Nominal capacity (mAh)	90
Diameter (mm)	20.0
Total height (mm)	1.6
Discharging temperature range (°C)	-30 to +60
Weight (g)	1.6

Model number	CR-2025
Nominal voltage (V)	3
Nominal capacity (mAh)	165
Diameter (mm)	20.0
Total height (mm)	2.5
Discharging temperature range (°C)	-30 to +60
Weight (g)	2.5

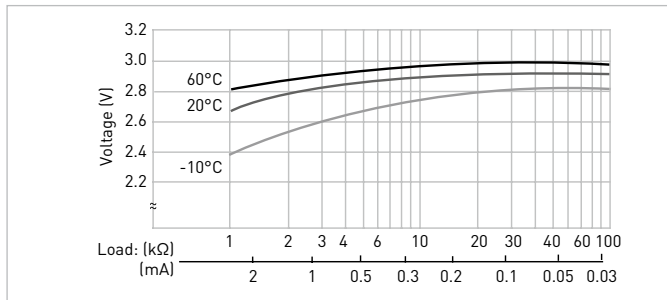
DISCHARGE TEMPERATURE CHARACTERISTICS



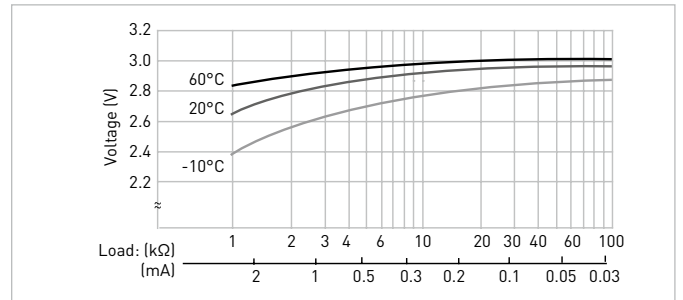
DISCHARGE TEMPERATURE CHARACTERISTICS



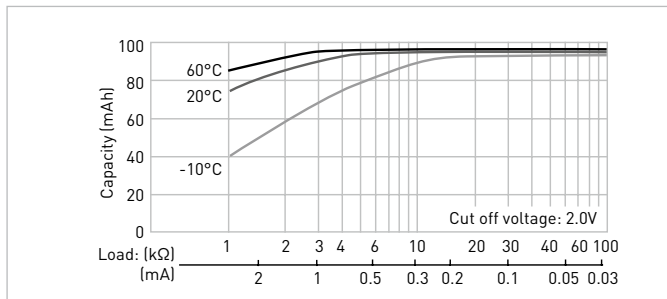
OPERATING VOLTAGE VS. DISCHARGE CURRENT\*1



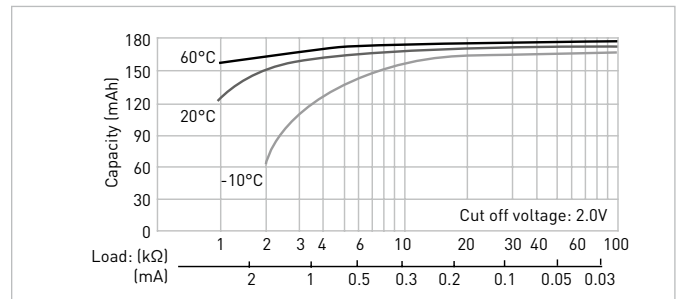
OPERATING VOLTAGE VS. DISCHARGE CURRENT\*1



CAPACITY VS. LOAD RESISTANCE



CAPACITY VS. LOAD RESISTANCE



The data in this document are for descriptive purposes only and are not intended to make or imply any guarantee or warranty.

\*1 Voltage at 50% discharge depth.