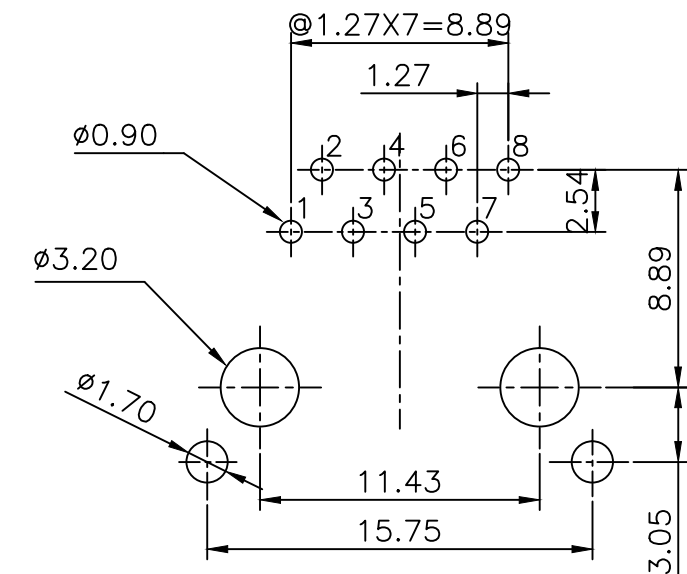
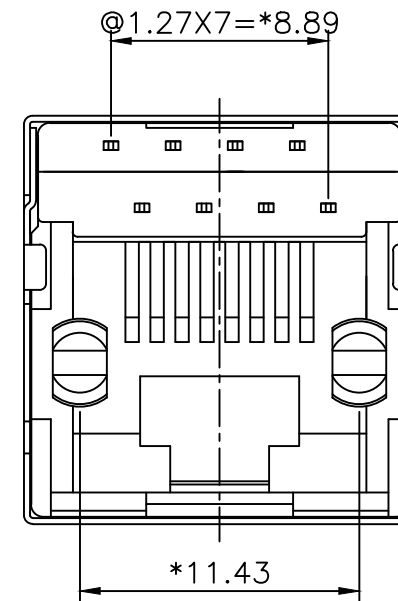
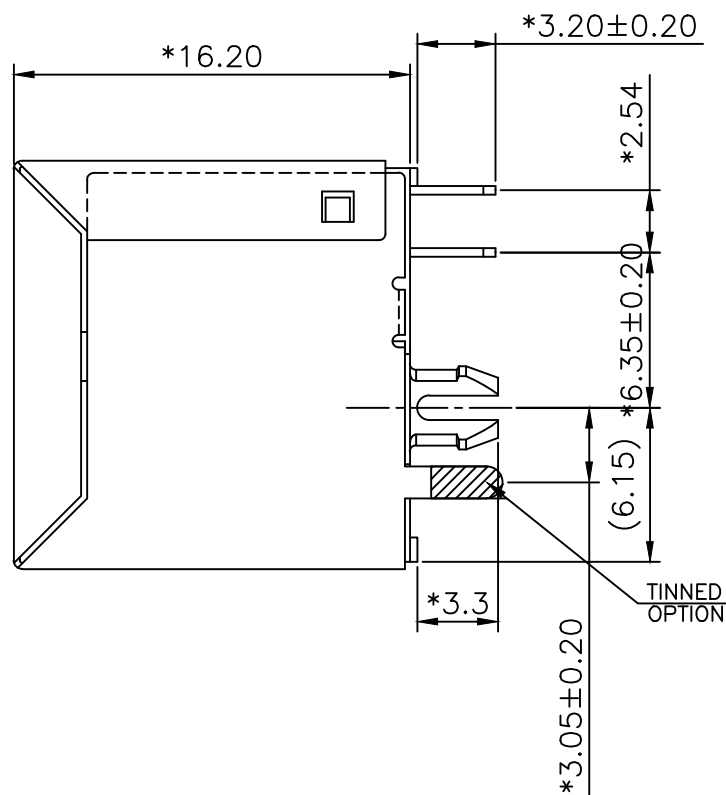
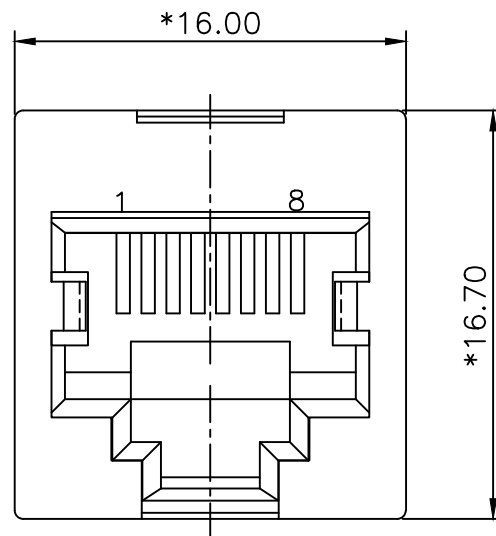




THIS IS A RoHS COMPLIANT COMPONENT/PRODUCT.



PC Board Layout

NOTES:

ELECTRICAL:

- 1. VOLTAGE RATING : 125 VAC.
- 2. CURRENT RATING : 1.5 AMP.
- 3. CONTACT RESISTANCE : 35 MILLIOHMS MAX.
- 4. INSULATION RESISTANCE : 1000 MEGOHMS @ 500 VDC. MIN.
- 5. DIELECTRIC STRENGTH : 1000 VAC 60Hz, 1MIN.

MECHANICAL:

- 1. HOUSING MATERIAL : HIGH TEMP. UL94V-0.
- 2. CONTACT MATERIAL : PHOSPHOR BRONZE T=0.35mm.
- 3. SHIELD MATERIAL : COPPER ALLOY T=0.20mm.
- 4. PLATING : SELECTIVE GOLD PLATING OVER NICKEL.
- 5. OPERATING LIFE : 750 CYCLES MIN.
- 6. PCB RETENTION PRE-SOLDER : 1 LB MIN.
- 7. PCB RETENTION POST-SOLDER : 10 LBS MIN.

ENVIRONMENTAL:

- 1. STORAGE : -40°C TO +85°C
- 2. OPERATION : -40°C TO +85°C.

MATES WITH MODULAR PLUG CONFORMING TO FCC PART 68, SUBPART F.

ORDERING INFORMATION:

PART NUMBER	PRODUCT CODE	CONFIGURATION
3257-0013-01	RJJS-88-122-E7V-036	6U" GOLD PLATING
3257-0013-02	RJJS-88-142-E7V-036	30U" GOLD PLATING



△X0	000000	NEW DESIGN	YANG	102009	
MARK	ECN-NO.	REVISION RECORD	DRAWN	DATE	
		UNLESS OTHERWISE SPECIFIED TOLERANCE	SCALE 1.25/1	CHECKED eva	
		Dimension Range Tolerance	UNIT mm	APPROVED peter	
		X.X	±0.20	SIZE A3	SHEET 1/1
		X.XX	±0.15		
		X.XXX	±0.10		
ANGLE	±5°	NAME CAT.6 TOP ENTRY MODULE JACK STP			
Material/Plated/Notes		SEE NOTE			
Tooling No.		PART NO. SEE NOTE		REV. 0	
		DOC. NO.			