

PLEASE CHECK WWW.MOLEX.COM FOR LATEST PART INFORMATION

Part Number: [0503978001](#)
Status: **Active**
Overview: CP Wire-to-Board and Wire-to-Wire Connector Systems
Description: CP-3.3 Wire-to-Board Crimp Terminal, Female, 22-24 AWG, Reel

Documents:

[Drawing \(PDF\)](#) [Datasheet \(PDF\)](#)
[Product Specification 2122090000-PS-000 \(PDF\)](#) [RoHS Certificate of Compliance \(PDF\)](#)
[Packaging Specification SPK-50397-001-001 \(PDF\)](#)

General

Product Family	Crimp Terminals
Series	50397
Application	Power, Wire-to-Board
Crimp Quality Equipment	Yes
Overview	CP Wire-to-Board and Wire-to-Wire Connector Systems
Packaging Alternative	503978101 (Bag)
Product Name	CP-3.3
UPC	193264100101

Physical

Gender	Female
Material - Metal	Phosphor Bronze
Material - Plating Mating	Tin
Material - Plating Termination	Tin
Net Weight	103.000/mg
Packaging Type	Reel
Plating min - Mating	0.914µm
Plating min - Termination	0.914µm
Termination Interface: Style	Crimp or Compression
Wire Insulation Diameter	1.30-1.80mm
Wire Size AWG	22, 24
Wire Size mm ²	N/A

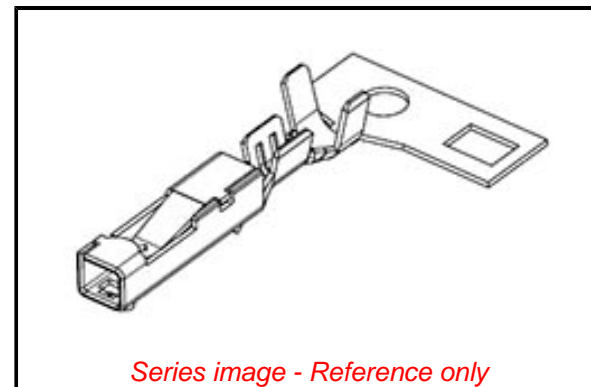
Electrical

Current - Maximum per Contact	8.5A
Voltage - Maximum	500V AC/DC

Material Info

Reference - Drawing Numbers

Packaging Specification	SPK-50397-001-001
Product Specification	2122090000-PS-000
Sales Drawing	503970001-SD-000



Series image - Reference only

EU ELV

Not Relevant

EU RoHS

Compliant

REACH SVHC

Not Contained Per -
D(2020)9139-DC (19
Jan 2021)

Halogen-Free

Status

Low-Halogen

For more information, please visit [Contact US](#)

China ROHS

ELV

RoHS Phthalates

China RoHS

Green Image

Not Relevant

Not Contained

Search Parts in this Series

50397 Series

Use With

CP-3.3 Receptacle Housing [212209](#)