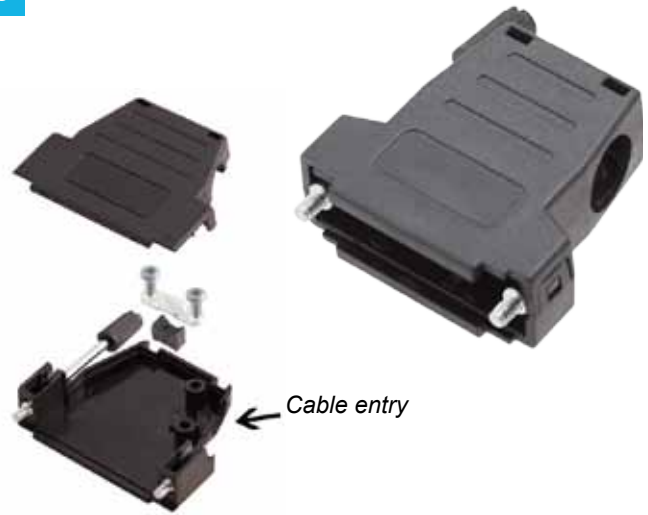


D-Sub Plastic Cover, Side cable entry + Long jackscrews

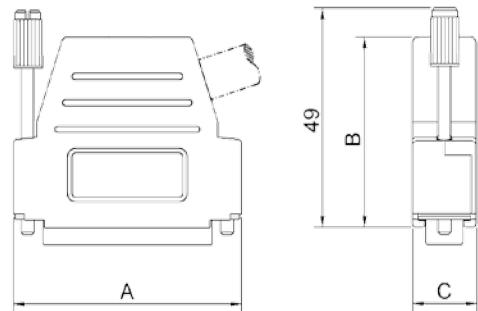
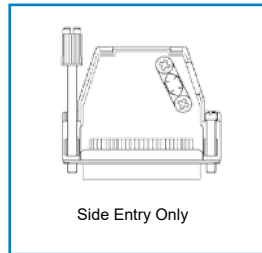
TECHNICAL SPECIFICATIONS

Material: Polyamid, UL-recognised
 Operating Temperature: -55°C to +110°C
 Cable Entry: Side
 Thumbscrews: Long and Short
 UNC 4-40 (Standard)
 M2,5 or M3 on request
 Cable O.D.: 9-way Up to 11,5mm
 15-way Up to 11,5mm
 25-way Up to 11,5mm
 37-way Up to 11,5mm
 Colour: Black

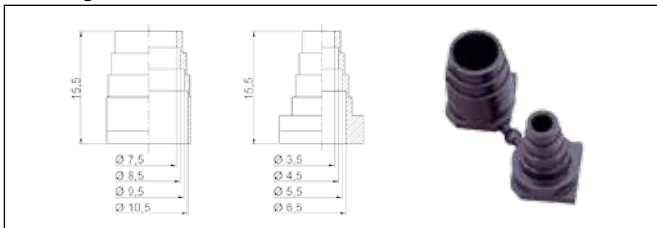


Features:

- Plastic cover, Side
- Available in sizes 9-15-25-37
- Suitable for any common Sub-D connector
- Quick-snap locking system
- Re-openable
- Company logo available upon request
- Jackscrews 9-way
 1 long jackscrew
- Jackscrews 15-25-37 - way
 1 long jackscrews
 1 short jackscrew



Plastic grommet set



Size DSSK-P	Dim A	Dim B	Dim C
9-way	31,5	40,0	15,0
15-way	40,0	40,0	15,0
25-way	53,5	43,0	15,0
37-way	71,3	40,0	15,0

Ordering information:

Size:	P/N - Kitted:	Product Code:
9-way	6260-0107-11	DSSK-P-09-S-K
15-way	6260-0107-12	DSSK-P-15-S-K
25-way	6260-0107-13	DSSK-P-25-S-K
37-way	6260-0107-14	DSSK-P-37-S-K

Size:	P/N - BULK:	Product Code:
9-way	6261-0107-11	DSSK-P-09-S
15-way	6261-0107-12	DSSK-P-15-S
25-way	6261-0107-13	DSSK-P-25-S
37-way	6261-0107-14	DSSK-P-37-S