

# Plastic enclosure 90 x 35 x 35 dark grey ABS IP 65/NEMA 4

Plastic Enclosures, RND



## FEATURES:

Integral guides and standoffs for vertical and horizontal PCB mounting

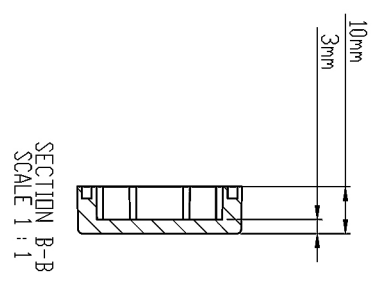
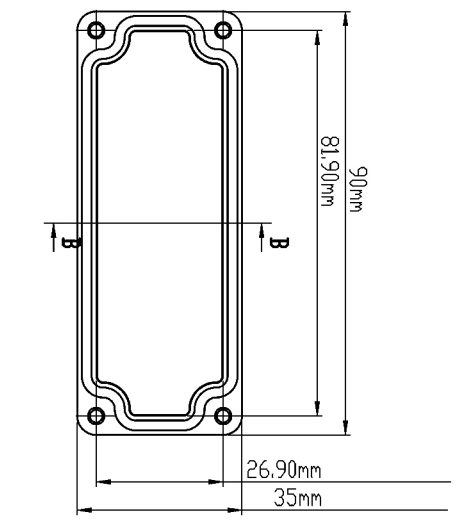
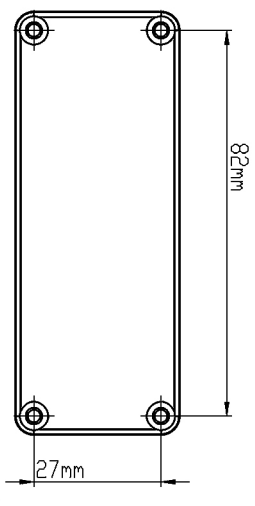
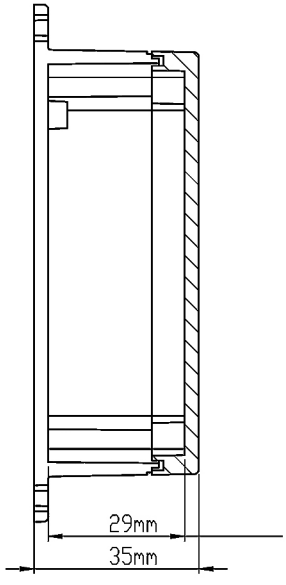
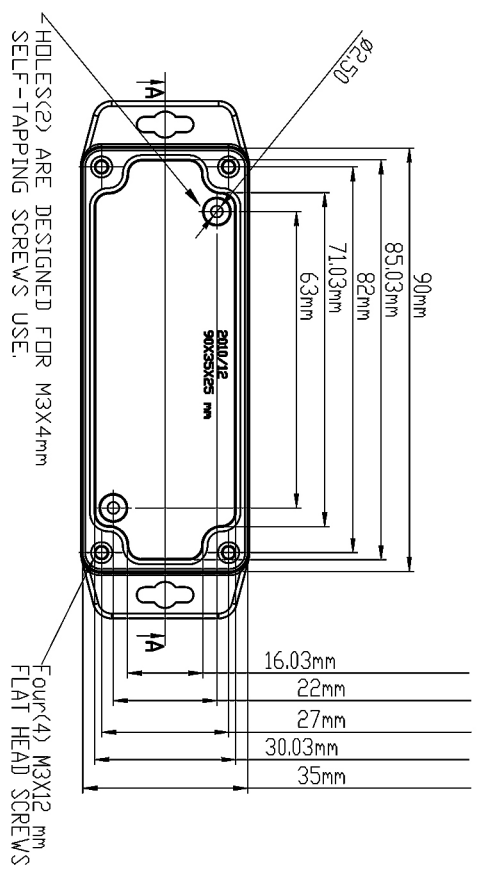
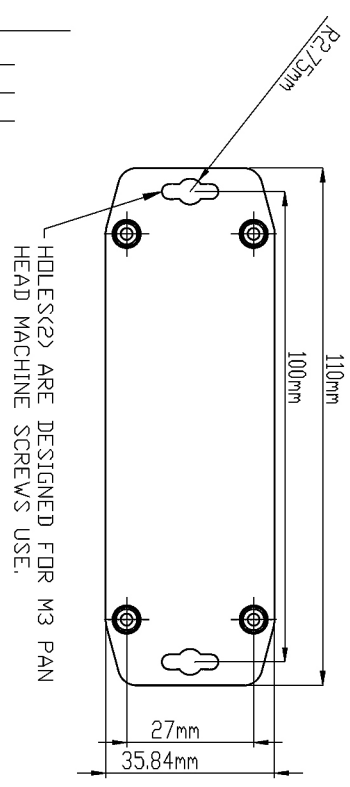
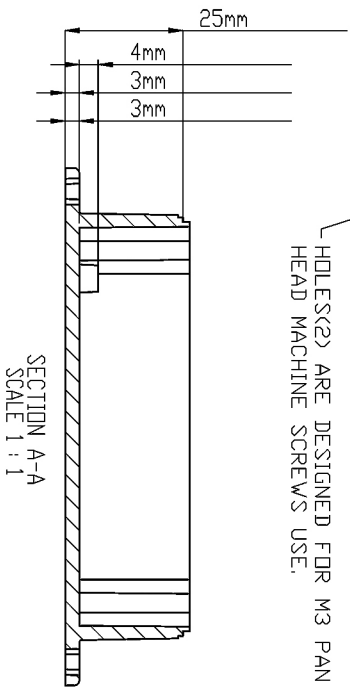
## SPECIFICATION:

Dimensions L x W x H	90 x 35 x 35 mm
Colour	dark grey
Material	ABS
Protection rating	IP 65/NEMA 4
Fire class	UL 94 HB
Mounting	Flange
Temperature range	-20...+80 °C

## PRODUCT RANGE:

Art. Nr.

RND 455-00256



TOLERANCES: +/- 0.30 mm (+/- 0.012in)

