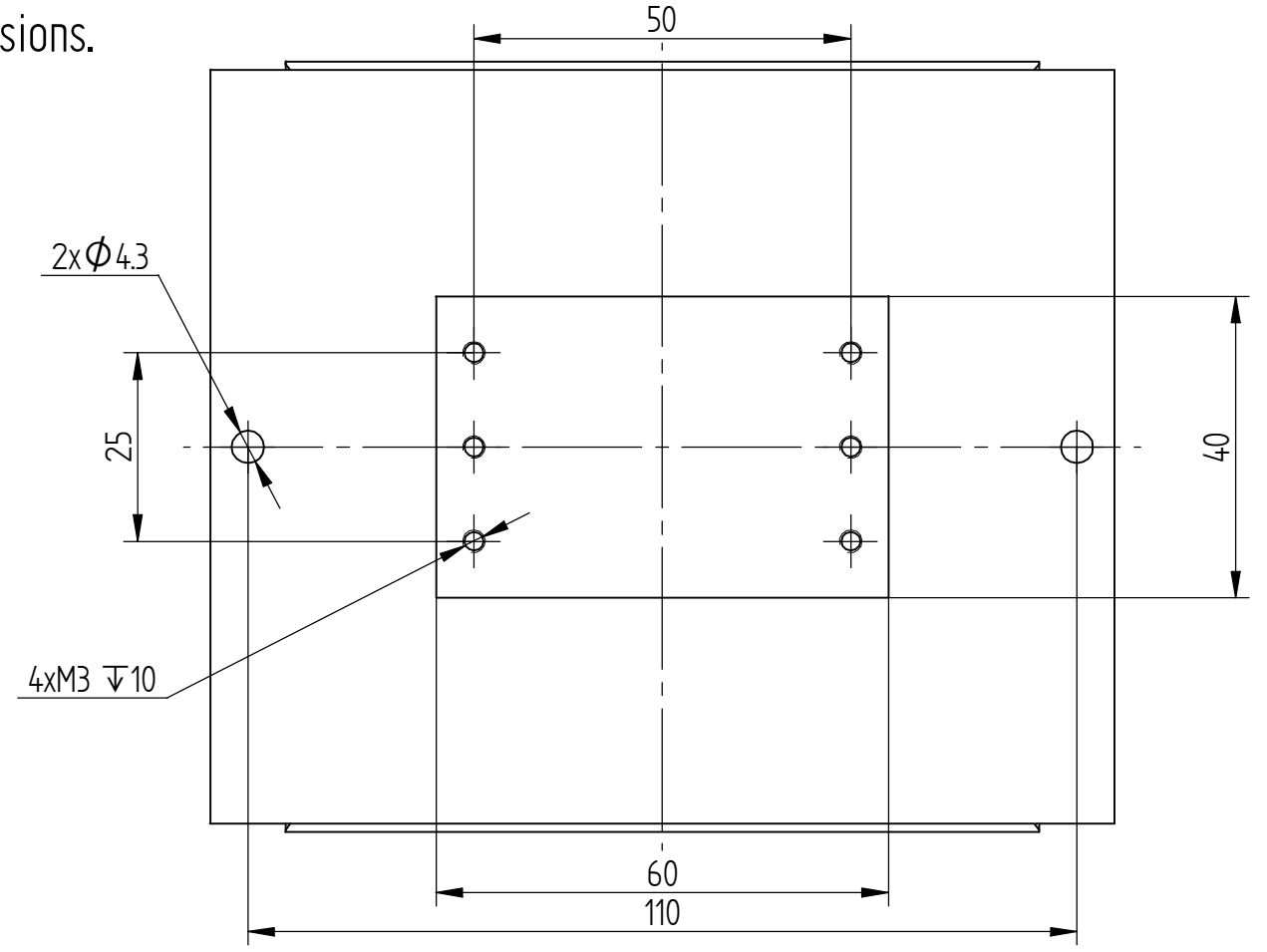


Specification: (Ta=32°C)	Code:	Description:
Heat transfer, cold side:	D	Direct
Heat transfer, warm side:	A	Air
Cascade:	-	
Cooling power: [W]	044	42 W at dT=0°C. Tolerance: ±10%.
Voltage, nominal: [VDC]	12	12 VDC.
TEM Voltage: [VDC]		Nominal: 12 VDC, Max: 15 VDC.
TEM Current: [A]		Nominal: 3.8 A, Initial: 4.7 A. All at dT=0°C. Tolerance: ±10%.
Fan(s), cold side:	0	None.
Fan(s), warm side:	2	MTBF: 50,000 hrs. L10 at 25°C. Nominal current: 0.25 A. Voltage: 12 VDC ±10%.
Temperature controller, sensor:	0	None.
Temperature control settings, trim options:	0	-
Additional controller information:		
Temperature control position:	0	-
Options:	0	-
Weight:		0.6 kg
Overheating thermostat:		None.
Operating temperature:		-10°C to +46°C at nominal voltage.
TE-Module(s) temperature specification:		Max. surface temperature: 80°C.
Enclosed:		Thermally conductive grease.
Packing:		Individual cardboard box.

Mounting dimensions.

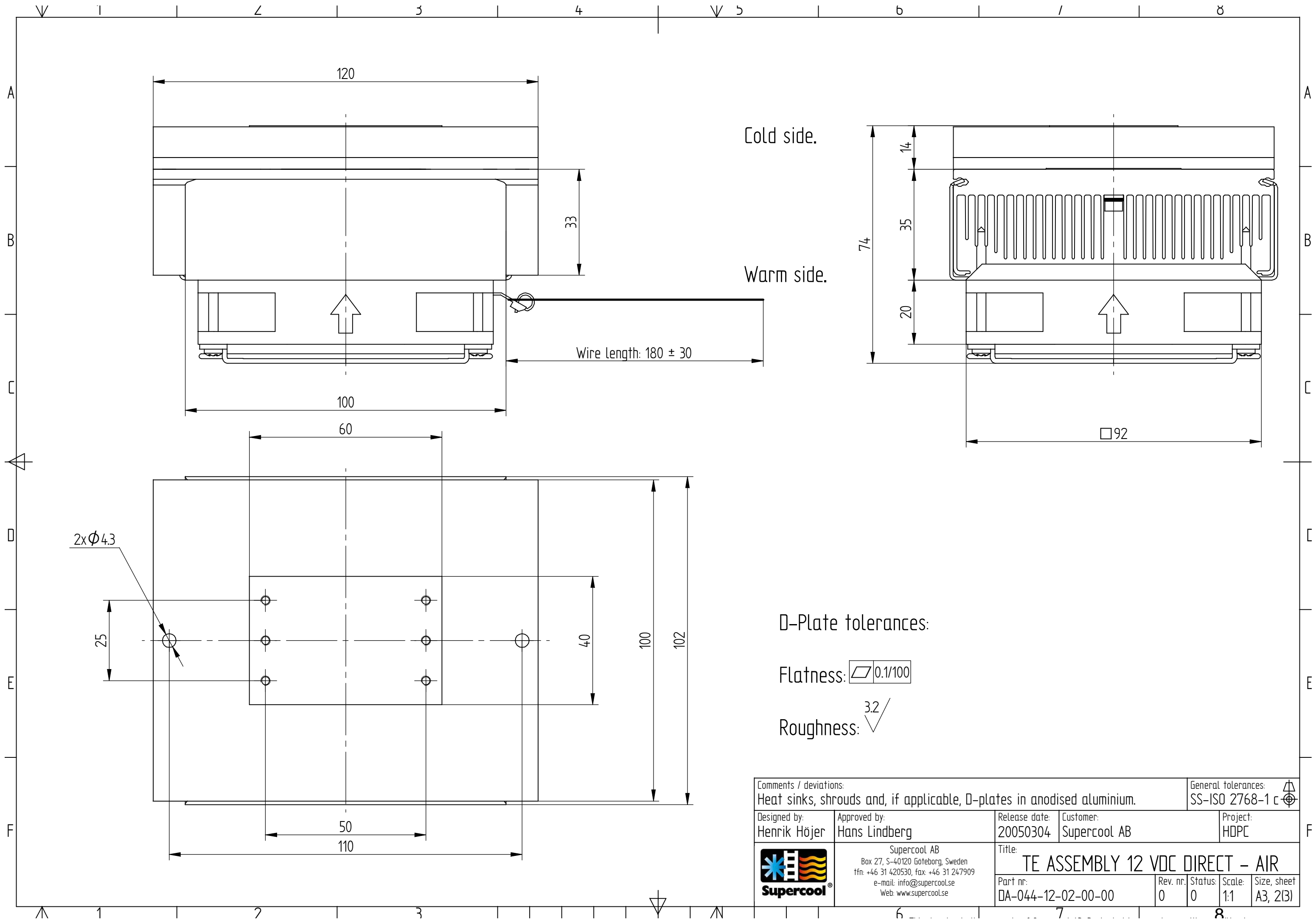


Electrical connections:
 TEM+: Pink
 TEM-: Green
 FAN+: Purple
 FAN-: Blue

Comments / deviations: Heat sinks, shrouds and, if applicable, D-plates in anodised aluminium.		General tolerances: SS-ISO 2768-1 c-M	
Designed by: Henrik Höjer	Approved by: Hans Lindberg	Release date: 20050304	Customer: Supercool AB
Project: HDPC		Title: TE ASSEMBLY 12 VDC DIRECT - AIR	
Part nr: DA-044-12-02-00-00		Rev. nr: 0	Status: 0
Scale: 1:1		Size, sheet: A3, (13)	




Supercool AB
 Box 27, S-40120 Göteborg, Sweden
 tfn: +46 31 420530, fax: +46 31 247909
 e-mail: info@supercool.se
 Web: www.supercool.se



D-Plate tolerances:

Flatness: $\square 0.1/100$

Roughness: $\sqrt{3.2}$

Comments / deviations: Heat sinks, shrouds and, if applicable, D-plates in anodised aluminium.		General tolerances: SS-ISO 2768-1 c-M	
Designed by: Henrik Höjer	Approved by: Hans Lindberg	Release date: 20050304	Customer: Supercool AB
 Supercool AB Box 27, S-40120 Göteborg, Sweden tfn: +46 31 420530, fax: +46 31 247909 e-mail: info@supercool.se Web: www.supercool.se		Title: TE ASSEMBLY 12 VDC DIRECT - AIR	
		Part nr: DA-044-12-02-00-00	Rev. nr: 0
		Size, sheet A3, 2(3)	