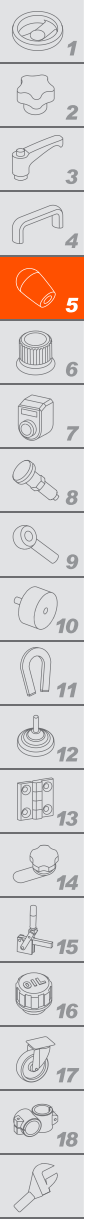


IR.407 | Fold-away handles

Duroplast



MATERIAL

Phenolic based (PF) Duroplast handle, black colour, glossy finish.

STANDARD EXECUTIONS

- **IR.407:** black-oxide steel double guide pin, sintered and oxidised steel flat base for embedded mounting, black-oxide steel screw.
- **IR.407-SST:** AISI 303 stainless steel double guide pin, sintered AISI 303 stainless steel flat base for embedded mounting, AISI 303 stainless steel screw.

FEATURES AND APPLICATIONS

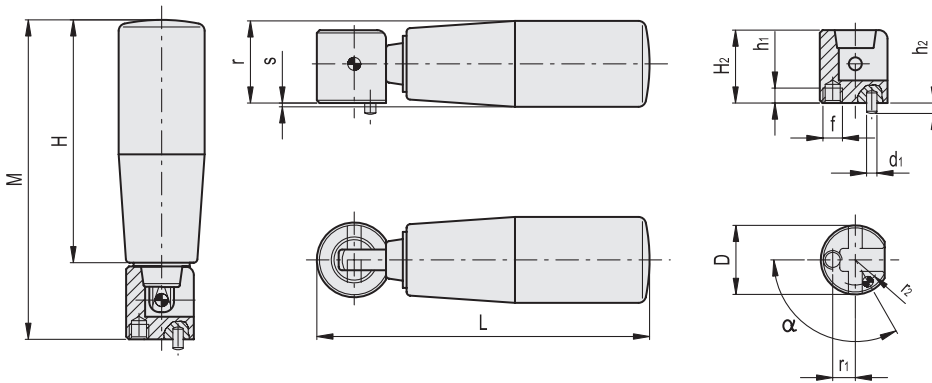
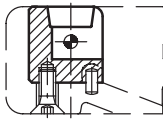
Handle pivots freely during operation: a system of coaxial bushings compensates return spring load.

This series of fold-away handles has been designed for all those applications for which, owing to lack of space or for safety reasons, the handle must be folded-away once the operation has been completed.



ELESA Original design

Normal assembly example with embedded base



IR.407

Code	Description	H	D	L	M	H2	r	r1	s	f	h1	d1	h2-0.2	r2	α	△
27901	IR.407/56	56	16	74	71	15	19.5	1	2.5	M4	5	3	3	5.5	90°	70
28001	IR.407/65	65	20	89	85	19.5	22	6	1	M6	6	3	3	7	120°	108
28101	IR.407/80	80	20	104	100	19.5	23.5	6	2.5	M6	6	3	3	7	120°	127
28201	IR.407/90	90	26	118	110	19.5	24	9	4	M6	10	3	3	9	120°	192

IR.407-SST

Code	Description	H	D	L	M	H2	r	r1	s	f	h1	d1	h2-0.2	r2	α	△
28011	IR.407/65-SST	65	20	89	85	19.5	22	6	1	M6	6	3	3	7	120°	108
28111	IR.407/80-SST	80	20	104	100	19.5	23	6	2.5	M6	6	3	3	7	120°	127
28211	IR.407/90-SST	90	26	118	110	19.5	23	9	4	M6	10	3	3	9	120°	192

