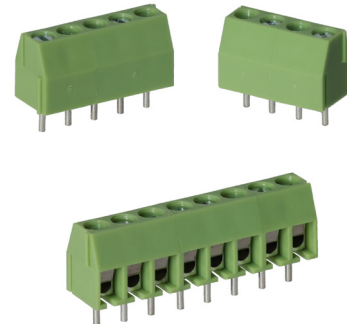


## Specifications

Pitch:	3.5mm
Type:	Wire Protector
Poles:	2 to 12
Rated Voltage:	See Table
Rated Current:	See Table
Operational Temperature:	-40°C to +105°C
Withstand Voltage:	1250V AC for 60s
Insulation Resistance:	500MΩ at 500V DC
Wire Range:	See Table
Wire Stripping Length:	5-6mm ± 0.5mm
Screw Size:	M2
Max. Torque Value:	0.2Nm
Wave Soldering:	260°C for 5s
Hand Soldering:	350°C for 10s

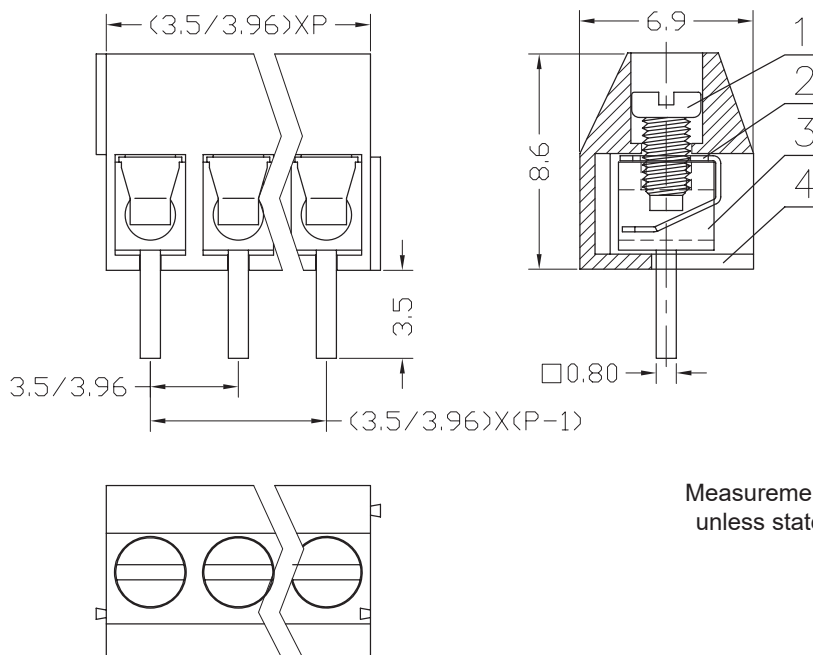


Order Code	Poles	Order Code	Poles
21-3000	2	21-2231	8
21-3001	3	21-2239	9
21-2229	4	21-2232	10
21-3098	5	21-2240	11
21-2230	6	21-2233	12
21-2238	7		

## Colour and Materials

Housing Colour:	Green
Housing Material:	PA66
Flame Retardancy:	UL94-V0
Screw:	Zinc-plated steel (A3)
Wire Guard:	Stainless steel
Pin Header:	Tin-plated brass

Standard	Rated Voltage	Rated Current	Wire Range
UL	300V	7A	24-18AWG (0.25-0.75mm <sup>2</sup> )
IEC	130V	10A	1mm <sup>2</sup>



Measurements are in mm unless stated otherwise.

For further information on pricing, delivery, and long-term stock agreements please get in touch with your local business development contact. Telephone our main office on **01206 838000** or email [Sales@Rapidonline.com](mailto:Sales@Rapidonline.com).

The information contained in this datasheet is subject to change without notice and replaces all data sheets previously supplied.

