

65W Desktop Power Supply Series

5V to 48V DC



Features:

- Constant voltage design with over voltage, short circuit & OC protections
- Universal 100-240vac input voltage
- Class I design 3 Pin C14 input (Class II version also available)
- Level VI efficiency
- Approved to latest 62368-1 world safety standards including CE & UL
- Meets new UKCA UK safety legislation



The Tiger Power range of switch mode power supplies feature full safety approvals and meet latest level VI energy efficiency requirements. This 65W series offers a choice of models providing a selection of outputs from 5vdc to 48vdc with either a 2.1mm or 2.5mm DC connector

Part #	Output VDC	Current	Power	DC Connector
TP1180	5vdc	7 amp	35 Watts	2.1 x 5.5 x 12mm
TP1180-B	5vdc	7 amp	35 Watts	2.5 x 5.5 x 12mm
TP1177	9vdc	6 amp	54 Watts	2.1 x 5.5 x 12mm
TP1177-B	9vdc	6 amp	54 Watts	2.5 x 5.5 x 12mm
TP1024	12vdc	5 amp	60 Watts	2.1 x 5.5 x 12mm
TP1121	12vdc	5 amp	60 Watts	2.5 x 5.5 x 12mm
TP1178	15vdc	4.3 amp	65 Watts	2.1 x 5.5 x 12mm
TP1178-B	15vdc	4.3 amp	65 Watts	2.5 x 5.5 x 12mm
TP1179	18vdc	3.6 amp	65 Watts	2.1 x 5.5 x 12mm
TP1179-B	18vdc	3.6 amp	65 Watts	2.5 x 5.5 x 12mm
TP1030	24vdc	2.7 amp	65 Watts	2.1 x 5.5 x 12mm
TP1030-B	24vdc	2.7 amp	65 Watts	2.5 x 5.5 x 12mm
TP1181	48vdc	1.25 amp	60 Watts	2.1 x 5.5 x 12mm
TP1181-B	48vdc	1.25 amp	60 Watts	2.5 x 5.5 x 12mm

TIGER POWER PRODUCTS – QUALITY & RELIABILITY

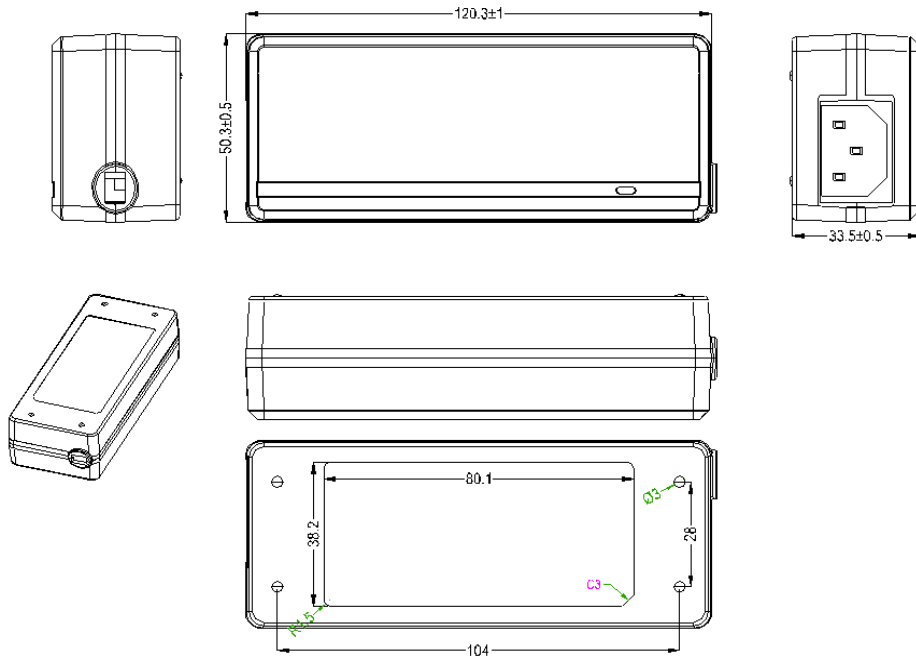
This specification is not for general release or circulation. Tiger Power reserves the right to make changes to spec. or product without notice or liability.

65W Desktop Power Supply Series

5V to 48V DC



Input voltage: 100-240vac (90-264vac max.)
Input frequency: 47 -63Hz
Output voltage: See table
Current: See table
Protection: Short Circuit, Over current protection
Dimensions: 120.3 x 50.3 x 33.5mm
Weight: 220g
DC cord length: 1.5 metres
Polarity: +ve (positive) centre
Efficiency: 88%
Load regulation: + / -5%
Safety approval: 62368-1 including UL (USA), CE and C-Tick
M.T.B.F: 50,000 hours
Operating temperature: 0°C to + 40°C
Dimensions: 120 x 51 x 34mm



TIGER POWER PRODUCTS – QUALITY & RELIABILITY

This specification is not for general release or circulation. Tiger Power reserves the right to make changes to spec. or product without notice or liability.