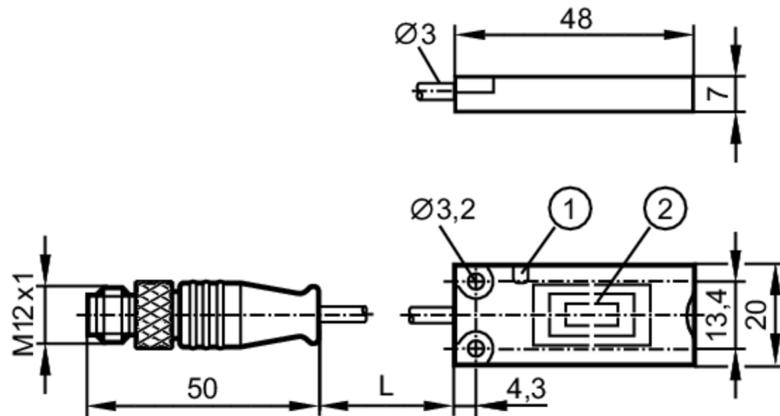


# ANT516



## RFID read/write head HF

DTRHF KQRWIDUS03-



- 1 LED
- 2 Sensing face



Application	
Application	detection of objects on transport equipment
Radio approval for	Europe; Japan; Australia; China; Taiwan; India; Singapore; Ukraine
Electrical data	
Operating voltage [V]	19.2...28.8 DC; (supply only via the DTE10x evaluation unit (to EN 60950-1))
Current consumption [mA]	< 50
Protection class	III
Operating frequency [MHz]	13,56
RFID standard	ISO 15693
Detection zone	
Distance write/read head front [mm]	120
Distance write/read head side [mm]	100
Distance to the ID tag [mm]	referred to 30 mm coin tag and antenna installed on metal, I-CODE SLI : ≤ 32
Interfaces	
Communication interface	DATA / DTE10x
Operating conditions	
Ambient temperature [°C]	-20...60
Storage temperature [°C]	-25...80
Protection	IP 67; IP 69K
Tests / approvals	
EMC	DIN EN 61000-6-2
Shock resistance	EN 60068-2-27 50 g 11 ms / 40 g (6 ms, continuous)
Vibration resistance	EN 60068-2-6 20 g 10...2000 Hz
Radio approval	EN 302 291-1 V1.1.1 / EN 302 291-2 V1.1.1
MTTF [years]	457.9

# ANT516



## RFID read/write head HF

DTRHF KQRWIDUS03-

Mechanical data	
Weight [g]	84.6
Housing	rectangular
Mounting	non-flush mountable
Dimensions [mm]	20 x 7 x 48
Materials	PBT; TPE-U; stainless steel

Displays / operating elements		
Display	operation	1 x LED, green
	tag communication	1 x LED, yellow

Remarks	
Pack quantity	1 pcs.

### Electrical connection

Cable: 2 m, PUR; 3 x 0.14 mm<sup>2</sup>

Connector: 1 x M12



### Connection

