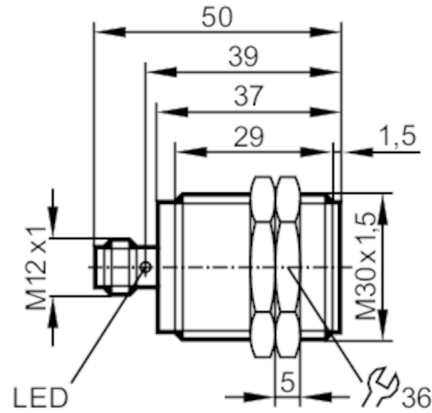


# DTI430



## RFID read/write head HF

DTRHF IBRWIOUS03



Application	
Application	detection of objects on transport equipment
Radio approval for	Europe; USA; Canada; Japan; Australia; China; Taiwan; India; Singapore
Electrical data	
Operating voltage [V]	19.2...28.8 DC
Current consumption [mA]	< 50
Protection class	III
Operating frequency [MHz]	13,56
RFID standard	ISO 15693
Detection zone	
Distance write/read head front [mm]	100
Distance write/read head side [mm]	50
Distance to the ID tag [mm]	referred to 30 mm coin tag; I-CODE SLI : ≤ 30
Interfaces	
Communication interface	IO-Link
Transmission type	COM2 (38.4 kBaud)
IO-Link revision	1.1
SDCI standard	IEC 61131-9
IO-Link device ID	967 d / 00 03 C7 h
Profiles	Smart Sensor: Device Identification
SIO mode	no
Required master port type	A
Operating conditions	
Ambient temperature [°C]	-20...60
Storage temperature [°C]	-25...80
Protection	IP 67; IP 69K

# DTI430



## RFID read/write head HF

DTRHF IBRWIOUS03

Tests / approvals		
EMC	DIN EN 301489-3	
Shock resistance	EN 60068-2-27	40 g 6 ms / repetitive
	EN 60068-2-27	50 g 11 ms / not repetitive
Vibration resistance	EN 60068-2-6	20 g 10...2000 Hz
Radio approval	EN 300 330 V2.1.1	
UL approval	Ta	-20...60 °C
	Enclosure type	Type 1
	voltage supply	Limited Voltage/Current
	File number UL	E205959

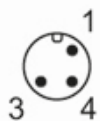
Mechanical data		
Weight	[g]	185
Housing		cylindrical
Mounting		flush mountable
Dimensions	[mm]	M30 x 1.5 / L = 50
Thread designation		M30 x 1.5
Materials		housing: stainless steel; Protective cover: PPS

Displays / operating elements		
Display	operation	1 x LED, green
	tag communication	1 x LED, yellow

Remarks		
Remarks	only for static applications	
Pack quantity	1 pcs.	

### Electrical connection

Connector: 1 x M12



# DTI430



## RFID read/write head HF

DTRHF IBRWIOUS03

### Connection

