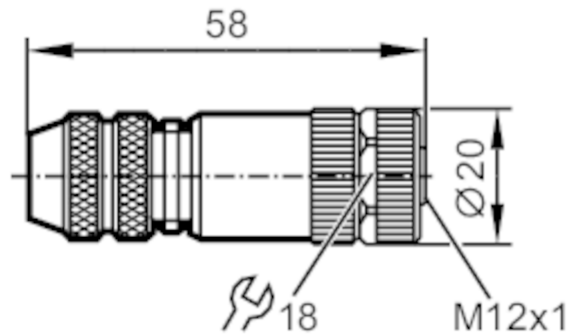


E12354



Wirable socket

SDOGH040MSSFKSG



Application

Special feature	Free from silicone; Gold-plated contacts
Design	power cable, D-coded
Free from silicone	yes

Electrical data

Operating voltage [V]	< 45 AC / < 70 DC
Max. current load total [A]	4; (...40 °C)

Operating conditions

Ambient temperature [°C]	-40...85
Protection	IP 67

Mechanical data

Weight [g]	46.7
Dimensions [mm]	20 x 20 x 58
Materials	diecast zinc nickel-plated
Material nut	diecast zinc, nickel-plated

Remarks

Pack quantity	1 pcs.
---------------	--------

Electrical connection

screw terminals: ...0.75 mm²; Cable sheath: Ø 6...8 mm

Electrical connection - socket

Connector: 1 x M12, straight; Moulded body: diecast zinc, nickel-plated; Locking: diecast zinc, nickel-plated; Contacts: gold-plated; Shielded connection cable: shieldable

E12354

Wirable socket

SDOGH040MSSFKSG



Connection

