

## MSUD VALVE PLUG FORM A 18MM

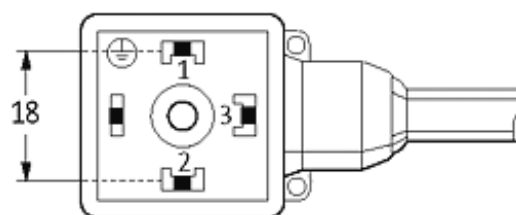
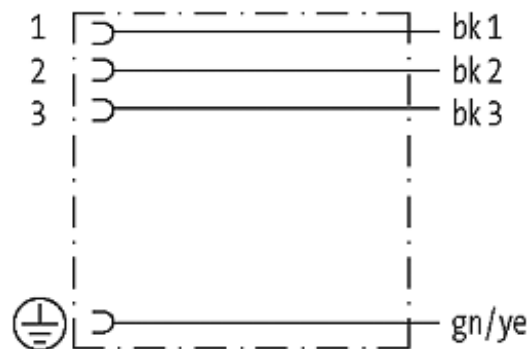
PVC 4X0.75 GRAY, 3m

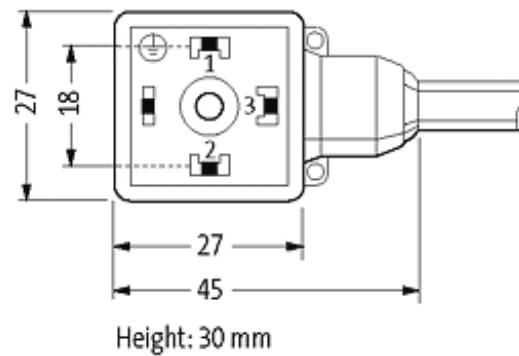
Form A (18 mm)  
230 V AC/DC

Further cable lengths on request. Plastic housings with good resistance against chemicals and oils. The resistance to aggressive media should be individually tested for your application. Further details on request.

### [Link to Product](#)

#### Illustration





Product may differ from Image

### Approvals



### Form

18111

### Technical Data

Operating voltage	max. 230 V AC/DC
Operating current per contact	max. 10 A
Locking of ports	M3 (recommended torque 0.4 Nm)
Housing	Black plastic (gray on request)
Protection	IP67 inserted and tightened (EN 60529)

### Cables

Cable number	217
No./diameter of wires	4 × 0.75 mm <sup>2</sup>
Wire isolation	PVC (bk, num, gnye)
Jacket Color	gray
Shore hardness outer jacket	80 ± 5A
Material (jacket)	PVC
Outer diameter	approx. 6.5 mm
Bend radius (fixed)	5 × outer Ø
Bend radius (moving)	10 × outer Ø
Temperature range (fixed)	-30...+70 °C
Temperature range (mobile)	-5...+70 °C

### Commercial data

country of origin	CZ
customs tariff number	85444290
minimum order quantity	1