



ALPHA 400 DIN WALL-MOUNTING DISTRIBUTION BOARD EMPTY CUBICLE, RAL 9016, IP55 H=950 W=300 D=210 CLASS OF PROTECTION II

Protection class

Protection class IP		IP55
---------------------	--	------

Mechanical Design

Height	mm	950
Width	mm	300
Depth	mm	210
Installation depth	mm	210
Material / of the enclosure		Steel

General Product Approval	Declaration of Conformity	Test Certificates
--------------------------	---------------------------	-------------------



[other](#)



[Special Test Certificate](#)

Further information

Information- and Downloadcenter (Catalogs, Brochures,...)
<http://www.siemens.com/lowvoltage/catalogs>

Industry Mall (Online ordering system)
<https://eb.automation.siemens.com/mall/en/WW/Catalog/Product/8GK11334KA12>

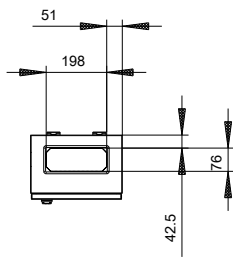
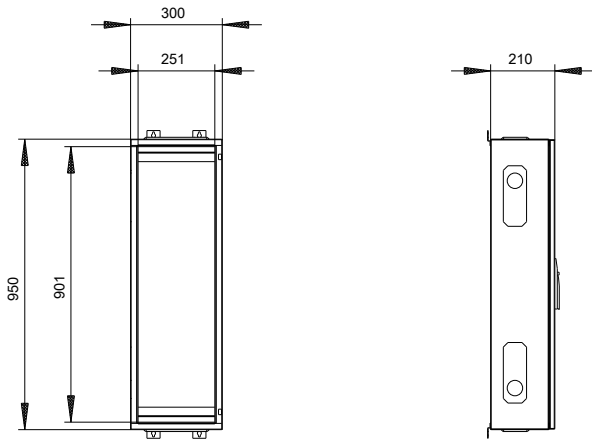
Service&Support (Manuals, Certificates, Characteristics, FAQs,...)
<http://support.automation.siemens.com/WW/view/en/8GK11334KA12/all>

Image database (product images, 2D dimension drawings, 3D models, device circuit diagrams, ...)
http://www.automation.siemens.com/bilddb/cax_en.aspx?mlfb=8GK11334KA12

CAX-Online-Generator
<http://www.siemens.com/cax>

Tender specifications

<http://ausschreibungstexte.siemens.com/tiplv>



last modified:

11.03.2015