

# Reflector

Ø 51 mm

## RR50SA

Part Number

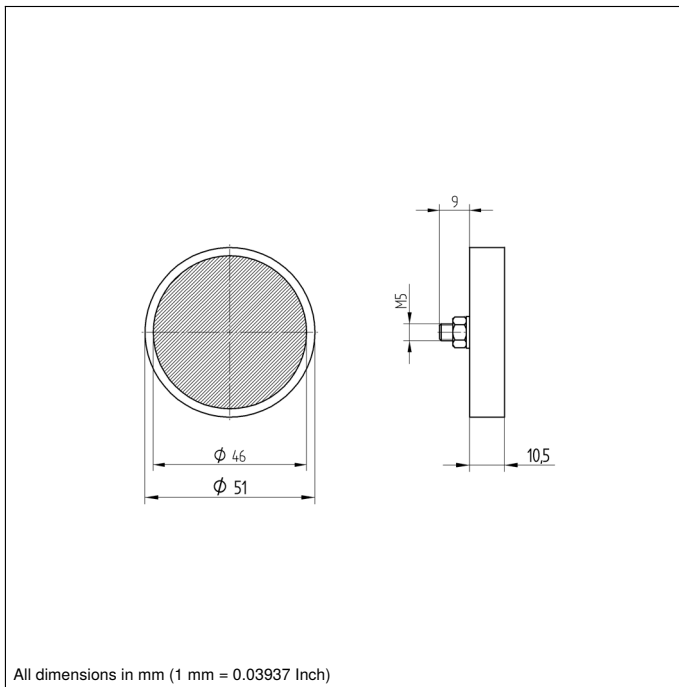
### Technical Data

#### Mechanical Data

Structure	Macro Structure
Mounting Type	Fixing Screw
Material	Plastic
Temperature Range	-20...60 °C
Packaging unit	1 Piece



- With fixing screw



All dimensions in mm (1 mm = 0.03937 Inch)