

# Hand Held (1599 Series)

Plastic

Recessed top panel for membrane display or pad...

P.C. card standoffs and vertical card guides molded in...

Flame retardant ABS version includes wear resistant brass bushings...

Flame retardant ABS version includes four machine screws (polystyrene are self-tapping)...

Long life battery door option with our "three snap" location door...

## OTHER KEY FEATURES

- Attractively styled and ergonomically designed for use as a "hand-held" instrument enclosure.
- Lap joint construction provides protection against access of dust and splashing water.
- Extra deep top and ultra shallow base are specifically designed to enhance the aesthetics of the enclosure and provide the user with flexibility and assembly efficiency.
- Designed to meet IP54.
- Accessory screws for mounting P.C. boards into standoffs P/N 1593ATS50 (qty. 50), P/N 1593ATS100 (qty. 100).
- Two keyhole knockouts are molded into the inside of the base to facilitate wall mounting installation.

### Fire Retardant ABS Plastic

### Polystyrene

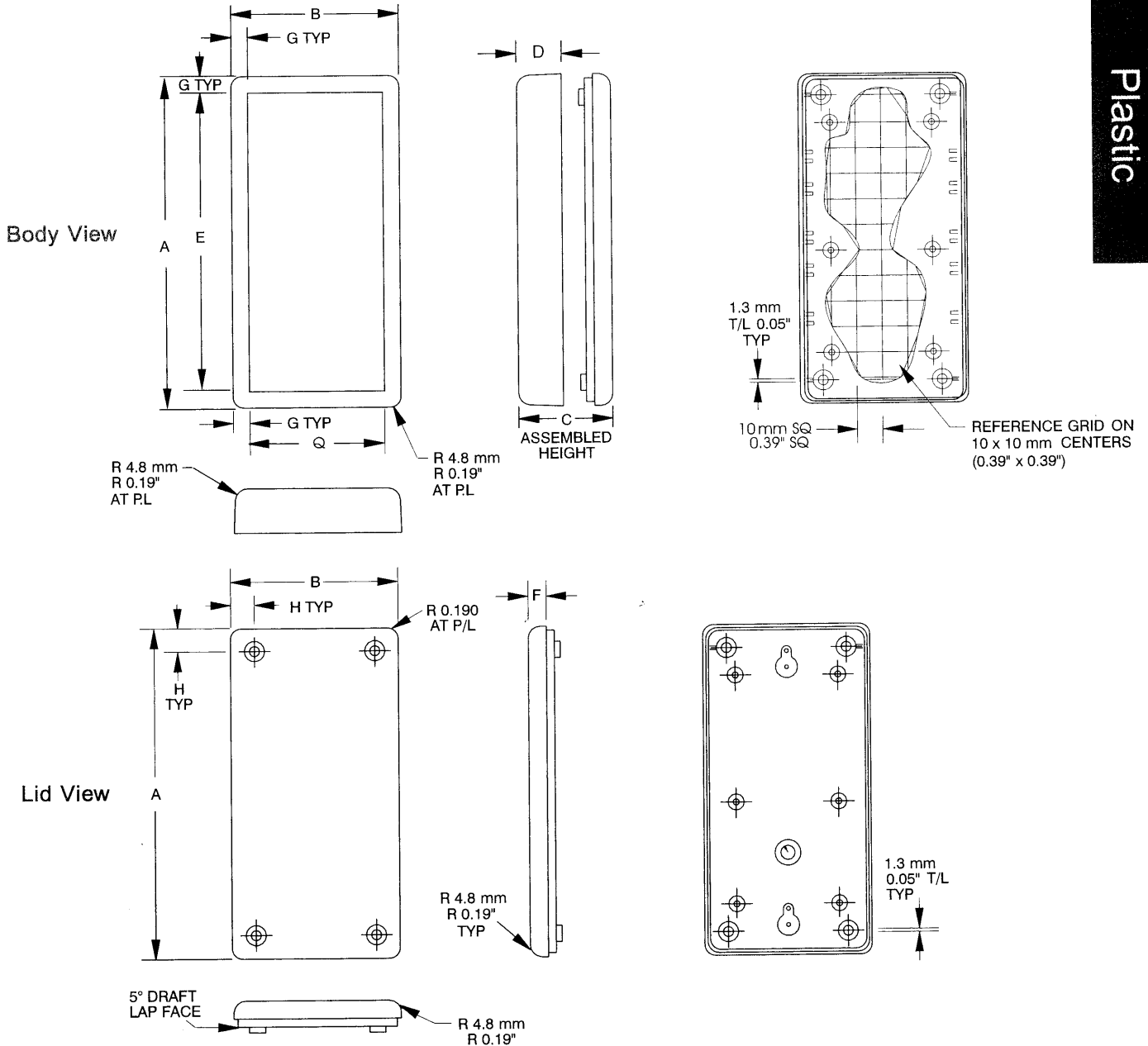
Part Number	See Size Chart	Color	Battery Door	Belt Clip	Shielded
1599BBK	1599B	Black	-	-	-
1599BGY	1599B	Grey	-	-	-
1599RBBK	1599B	Black	-	-	Yes
1599BBKBAT	1599B	Black	Yes	-	-
1599BGYBAT	1599B	Grey	Yes	-	-
1599BBKCP	1599B	Black	-	Yes	-
1599BGYCP	1599B	Grey	-	Yes	-
1599BBKBATCP	1599B	Black	Yes	Yes	-
1599BGYBATCP	1599B	Grey	Yes	Yes	-
1599EBK	1599E	Black	-	-	-
1599EGY	1599E	Grey	-	-	-
1599REBK	1599E	Black	-	-	Yes
1599EBKBAT	1599E	Black	Yes	-	-
1599EGYBAT	1599E	Grey	Yes	-	-
1599HBK	1599H	Black	-	-	-
1599HGY	1599H	Grey	-	-	-
1599RHBK	1599H	Black	-	-	Yes
1599HBKBAT	1599H	Black	Yes	-	-
1599HGYBAT	1599H	Grey	Yes	-	-
1599KBK	1599K	Black	-	-	-
1599KGY	1599K	Grey	-	-	-
1599KBKBAT	1599K	Black	Yes	-	-
1599KGYBAT	1599K	Grey	Yes	-	-

Part Number	See Size Chart	Color	Battery Door
1599BSGY	1599B	Grey	-
1599BSGYBAT	1599B	Grey	Yes
1599ESGY	1599E	Grey	-
1599ESGYBAT	1599E	Grey	Yes
1599HSGY	1599H	Grey	-
1599HSGYBAT	1599H	Grey	Yes
1599KSGY	1599K	Grey	-
1599KSGYBAT	1599K	Grey	Yes



# Hand Held (1599 Series)

Plastic



## SIZE CHART

Part Number	Units	Dimensions							
		A	B	C	D	F	G	Q	E
1599B	inch	5.12	2.56	0.98	0.69	.28	.24	2.06	4.62
	mm	130	65	25	17.5	7	6	52.2	117.2
1599E	inch	6.7	3.35	1.33	1.02	.31	.24	2.81	6.16
	mm	170	85	34	26	8	6	71	157
1599H	inch	8.66	4.33	1.73	1.38	.35	.24	3.73	8.06
	mm	220	110	44	35	9	6	94.8	204.8
1599K	inch	8.66	5.51	1.58	1.19	.35	.24	4.98	8.11
	mm	220	140	40	30	9	6	126	206

