

## Category 6 Surface Mount Socket



### Category 6 surface mount tool-less socket (SKH1, SKH2, SKH4)

These surface mount sockets enable Category 6 outlets to be quickly installed without the need for additional back box or trunking.

#### Features

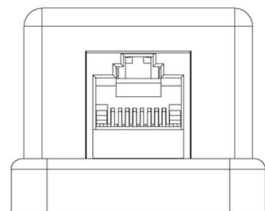
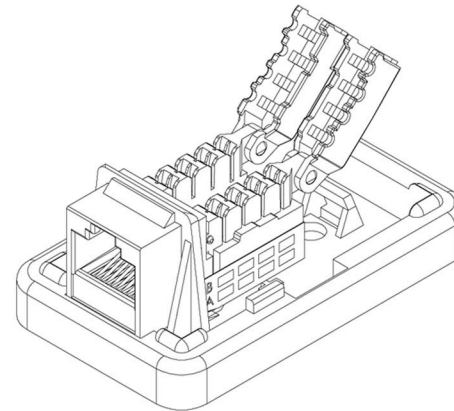
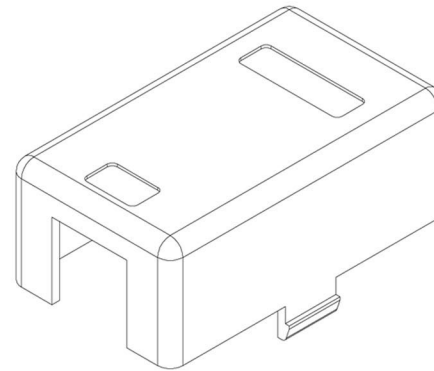
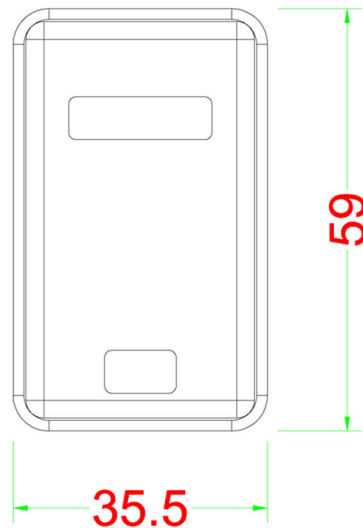
- High performance data throughput, meets Category 6 data transfer rates at permanent link level
- Utilises unshielded Category 6 keystone with easy, rapid tool-less termination
- Cable routing 180°
- Supplied with cable ties + adhesive pads for mounting

#### Specifications

- Colour: White
- Materials:
  - Housing: Fireproof ABS UL 94V-0
  - Socket:
    - Body: ABS UL 94V-0
    - Contact: 50µ"/1.27µm gold plating over nickel plated phosphor bronze

Product Code	Dimensions (LxWxH)	Weight (Approximately)	Adhesive pads
SKH1	59 x 35.5 x 28.5 mm	24g	45 x 25 mm
SKH2	59.0 x 61.5 x 28.5 mm	40g	45 x 40 mm
SKH4	84.0 x 114.0 x 29.5 mm	112g	45 x 40 mm (2)

ROHS Compliant

**Code: SKH1****Performance:**

Meets C6 EIA/TIA 568B Standard.

**Materials:**

Body : Fireproof ABS UL-94V0  
Jack : 8p8c 50 $\mu$ "/ 1.27 $\mu$ m gold plated  
PCB : FR-4 / UL-94V0  
IDC Cap : Fireproof PC  
IDC Body : Fireproof ABS UL-94V0  
IDC Pin : Tinned Phosphor Bronze

**IDC Description :** For 22-26 AWG.

Tool-less (using IDC cap)

Also suitable for 110 or Krone punch-down

**Electrical Specifications:**

Insulation Resistance : 500M ohms (min.)

Contact Resistance : 20m ohms (max.)

Current Rating : 1.5 Amps .

DC Resistance : 0.1 ohms (max.)

Withstanding Voltage : 1000 VAC RMS @ 60Hz / 1 min.

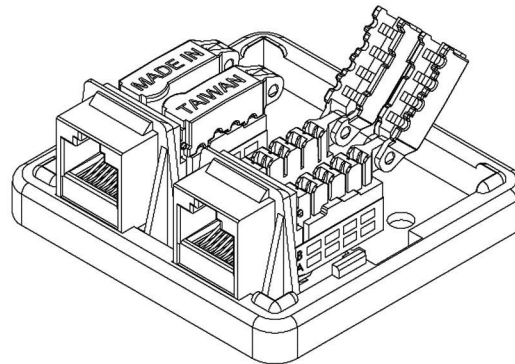
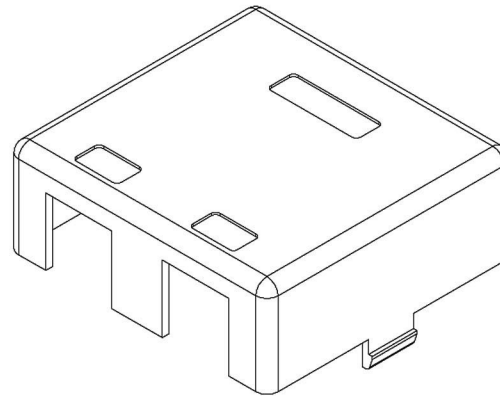
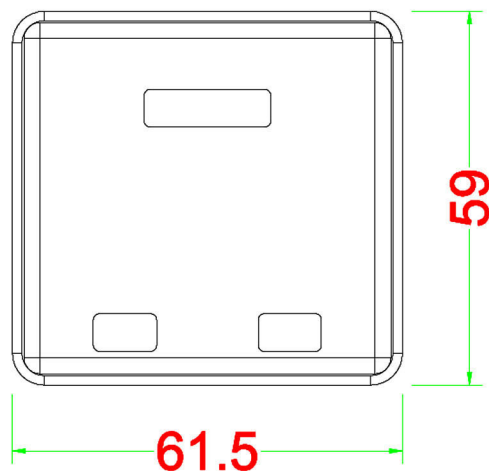
**Mechanical Specifications:**

IDC Punch Down Cycle : Over 150 Cycles

Jack Insertion Cycle : Over 1000 Cycles

**Operation Temperature :** -40 °C ~ +70 °C

ROHS Compliant

**Code: SKH2****Performance:**

Meets C6 EIA/TIA 568B Standard.

**Materials:**

Body : Fireproof ABS UL-94V0  
Jack : 8p8c 50 $\mu$ " / 1.27 $\mu$ m gold plated  
PCB : FR-4 / UL-94V0  
IDC Cap : Fireproof PC  
IDC Body : Fireproof ABS UL-94V0  
IDC Pin : Tinned Phosphor Bronze

IDC Description : For 22-26 AWG.

Tool-less (using IDC cap)

Also suitable for 110 or Krone punch-down

**Electrical Specifications:**

Insulation Resistance : 500M ohms (min.)

Contact Resistance : 20m ohms (max.)

Current Rating : 1.5 Amps .

DC Resistance : 0.1 ohms (max.)

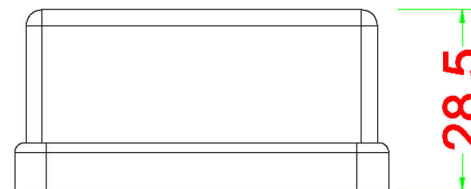
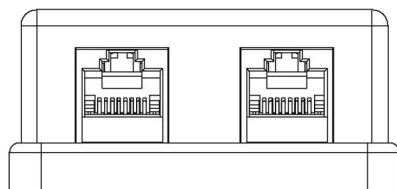
Withstanding Voltage : 1000 VAC RMS @ 60Hz / 1 min.

**Mechanical Specifications:**

IDC Punch Down Cycle : Over 150 Cycles

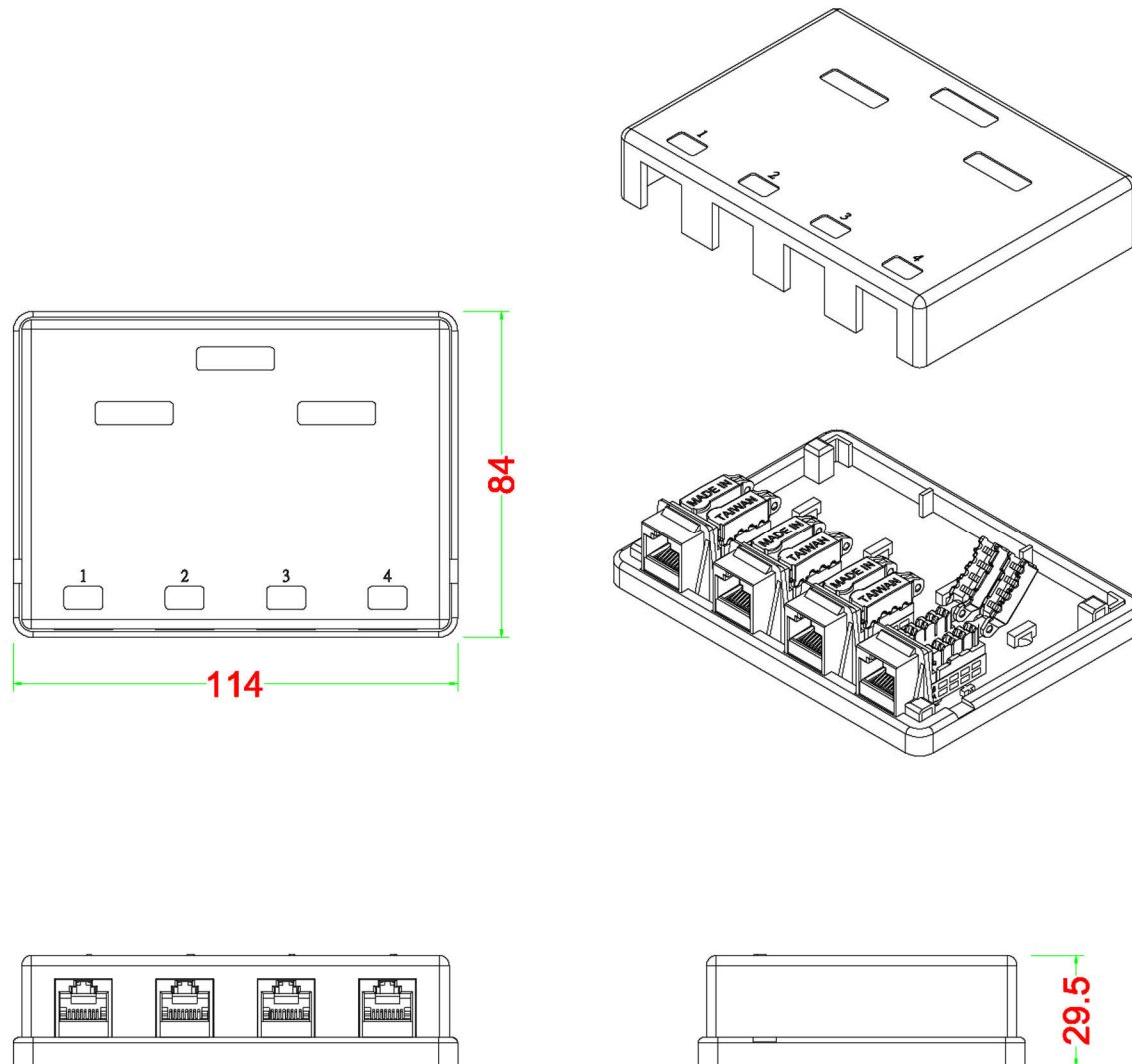
Jack Insertion Cycle : Over 1000 Cycles

Operation Temperature : -40 °C ~ +70 °C



ROHS Compliant

**Code: SKH4**



**Performance:**

Meets C6 EIA/TIA 568B Standard.

**Materials:**

- Body : Fireproof ABS UL-94V0
- Jack : 8p8c 50 $\mu$ "/ 1.27 $\mu$ m gold plated
- PCB : FR-4 / UL-94V0
- IDC Cap : Fireproof PC
- IDC Body : Fireproof ABS UL-94V0
- IDC Pin : Tinned Phosphor Bronze

**IDC Description :** For 22-26 AWG.  
 Tool-less (using IDC cap)  
 Also suitable for 110 or Krone punch-down

**Electrical Specifications:**

- Insulation Resistance : 500M ohms (min.)
- Contact Resistance : 20m ohms (max.)
- Current Rating : 1.5 Amps .
- DC Resistance : 0.1 ohms (max.)
- Withstanding Voltage : 1000 VAC RMS @ 60Hz / 1 min.

**Mechanical Specifications:**

- IDC Punch Down Cycle : Over 150 Cycles
- Jack Insertion Cycle : Over 1000 Cycles

**Operation Temperature :** -40 °C ~ +70 °C

ADDITIONAL IMAGES FOR REFERENCE

---

