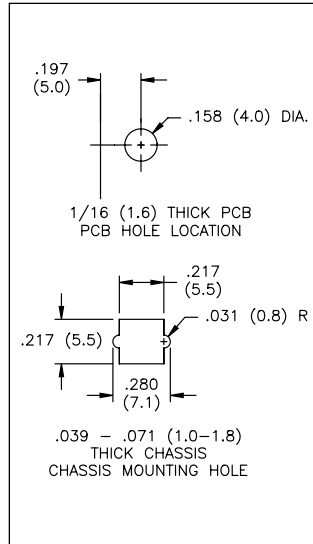
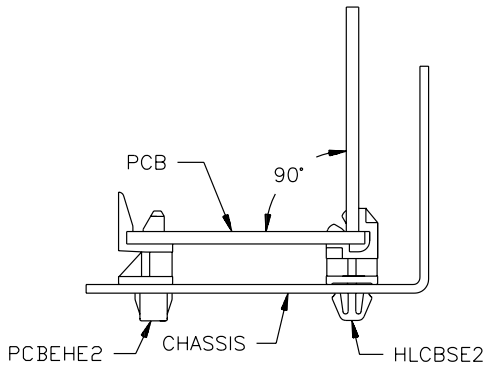
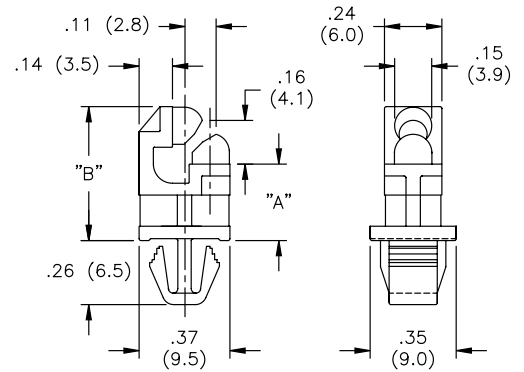


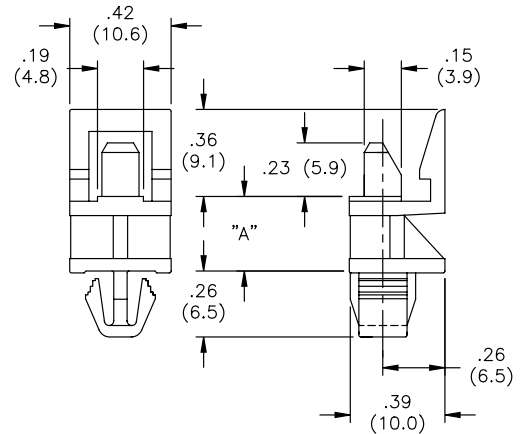
HLCBSE2 / PCBEHE2 Series Hinged Locking Circuit Board Support System



HLCBSE2



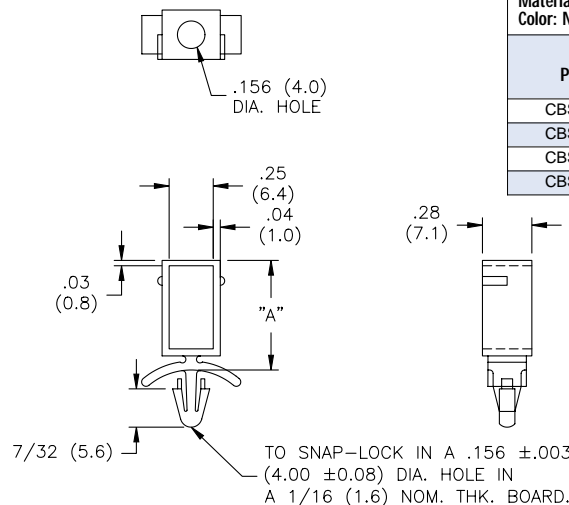
PCBEHE2



Material: Nylon 6/6, RMS-01 Color: Natural		
Part No.	Standard Pack: 1000 per bag	
	"A" ± 0.4mm	"B" ± 0.4mm
HLCBSE2-4M-01	4.0 mm	10.0 mm
HLCBSE2-6M-01	6.0 mm	12.0 mm
HLCBSE2-8M-01	8.0 mm	14.0 mm
HLCBSE2-10M-01	10.0 mm	16.0 mm
HLCBSE2-12M-01	12.0 mm	18.0 mm
HLCBSE2-14M-01	14.0 mm	20.0 mm
HLCBSE2-25M-01	25.0 mm	31.0 mm
HLCBSE2-30M-01	30.0 mm	36.0 mm

Material: Nylon 6/6, RMS-01 Color: Natural		
Part No.	Standard Pack: 1000 per bag	
	"A" ± 0.4mm	
PCBEHE2-4M-01	4.0 mm	
PCBEHE2-6M-01	6.0 mm	
PCBEHE2-8M-01	8.0 mm	
PCBEHE2-10M-01	10.0 mm	
PCBEHE2-12M-01	12.0 mm	
PCBEHE2-14M-01	14.0 mm	
PCBEHE2-25M-01	25.0 mm	
PCBEHE2-30M-01	30.0 mm	

CBSS Series Circuit Board Stacking Spacers



Material: Nylon 6/6, RMS-01 or Flame Retardant Nylon RMS-19 Color: Natural		
Nylon Part No.	Flame Retardant Nylon Part No.	Standard Pack: 1000 per bag "A" ± .015 (0.4)
CBSS-8-01	CBSS-8-19	.43 (10.9)
CBSS-10-01	CBSS-10-19	.55 (14.0)
CBSS-12-01	CBSS-12-19	.68 (17.3)
CBSS-14-01	CBSS-14-19	.80 (20.3)

Features

- CBSS spacers snap together to stack any number of boards using Richco part MB-1-156 mounting button to top off stack