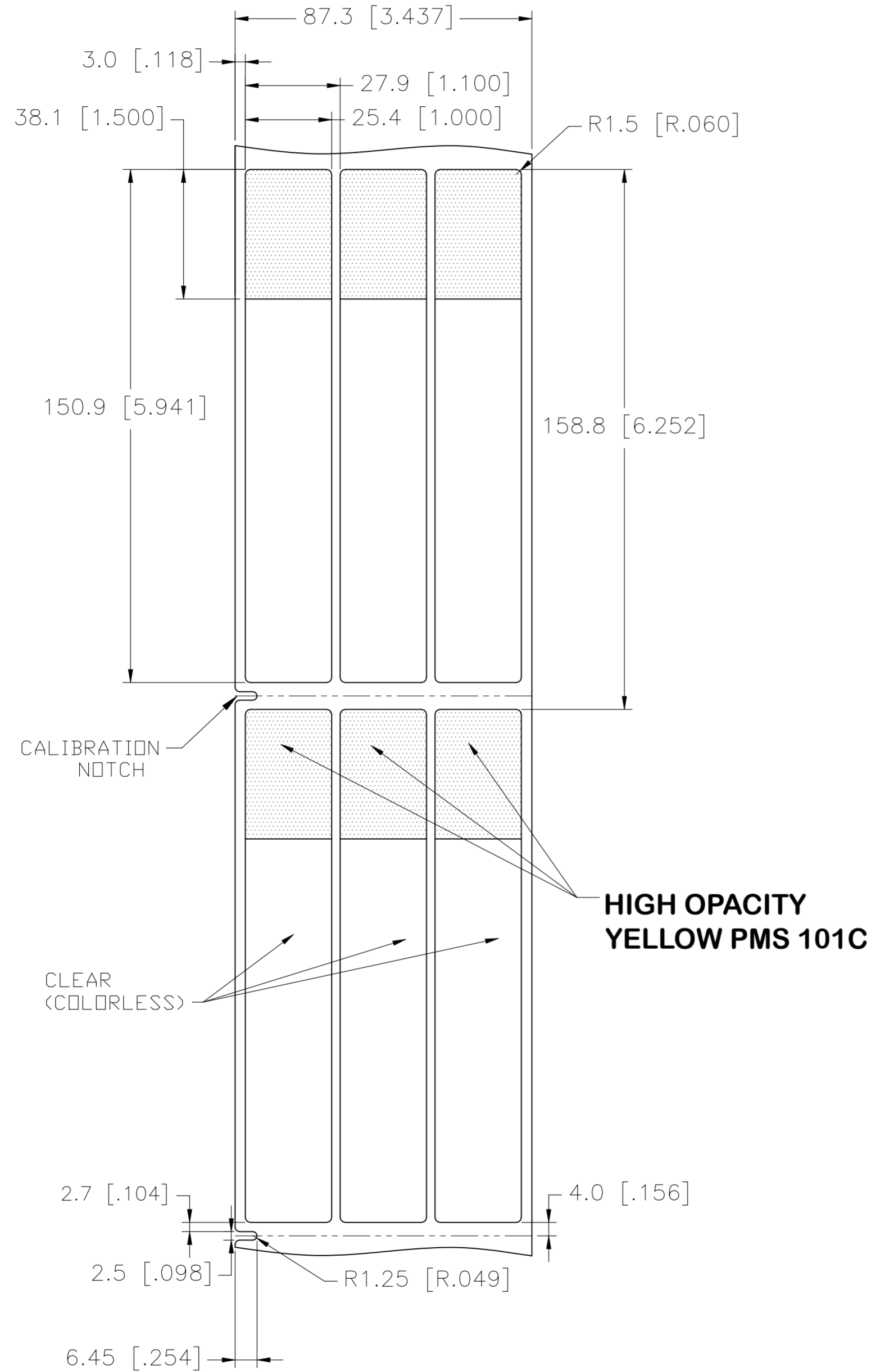
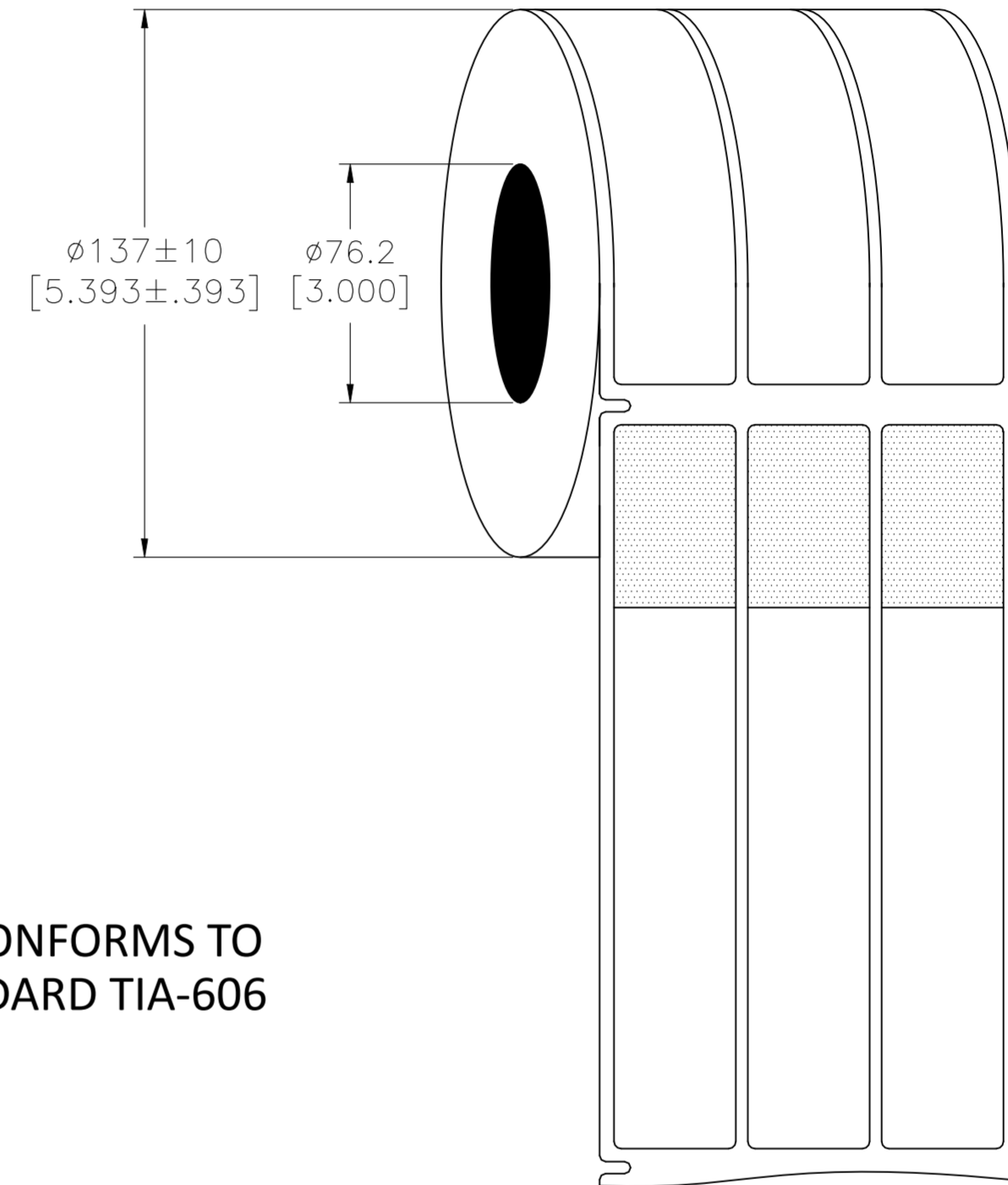


P	LTR	DESCRIPTION	DATE	DWN	APVD
A		INITIAL RELEASE	02JUL2022	GK	DB

LABEL AND LINER DESIGN



PRESENTATION



PRINT COLOR CONFORMS TO LABELING STANDARD TIA-606

All dimensions in mm [Inch]

TE PN: 1SET530118R0000

OUTSIDE WOUND LABEL ACROSS: 3 PER ROLL QTY: 1000

TOLERANCES mm [INCH]	THIS DRAWING IS A CONTROLLED DOCUMENT.		MATERIAL		CLEAR VINYL													
LABEL HEIGHT: ± 0.3 [.012]	DIMENSIONS: mm [INCHES]	TOLERANCES UNLESS OTHERWISE SPECIFIED:	DWN	GOPALAKRISHNA HV	ADHESIVE TYPE	ACRYLIC PERMANENT												
LABEL WIDTH: ± 0.3 [.012]		<table border="1"> <tr><td>0 PLC</td><td>\pm</td></tr> <tr><td>1 PLC</td><td>\pm</td></tr> <tr><td>2 PLC</td><td>\pm</td></tr> <tr><td>3 PLC</td><td>\pm</td></tr> <tr><td>4 PLC</td><td>\pm</td></tr> <tr><td>ANGLES</td><td>\pm</td></tr> </table>	0 PLC	\pm	1 PLC	\pm	2 PLC	\pm	3 PLC	\pm	4 PLC	\pm	ANGLES	\pm	CHK	D.BURGAT	LINEAR	WHITE KRAFT
0 PLC			\pm															
1 PLC			\pm															
2 PLC			\pm															
3 PLC	\pm																	
4 PLC	\pm																	
ANGLES	\pm																	
WEB WIDTH: ± 0.8 [.031]	MATERIAL	FINISH	APVD	D.BURGAT	TE Connectivity													
VERTICAL REPEAT: ± 0.8 [.031]*	SEE TABLE	-	PRODUCT SPEC	TTDS-283	SBP EWS Label - YELLOW 25.4 x 150.9mm [1.00 x 5.94inch]													
HORIZONTAL REPEAT: ± 0.8 [.031]*			APPLICATION SPEC	-	SIZE	A2												
PRINT POSITIONING: ± 0.8 [.031]*			WEIGHT	0.533g	CAGE CODE	FB1U7												
LEFT MARGIN: ± 0.4 [.016]			CUSTOMER DRAWING		DRAWING NO	C=SBPE35-3825-YL-1												
QUANTITY: -0% +2% *NON ACCUMULATING					RESTRICTED TO	-												
					SCALE	NTS												
					SHEET	1 of 1												
					REV	A												