

Photo lamps

Set lights for B/W and colour photography

Special features:

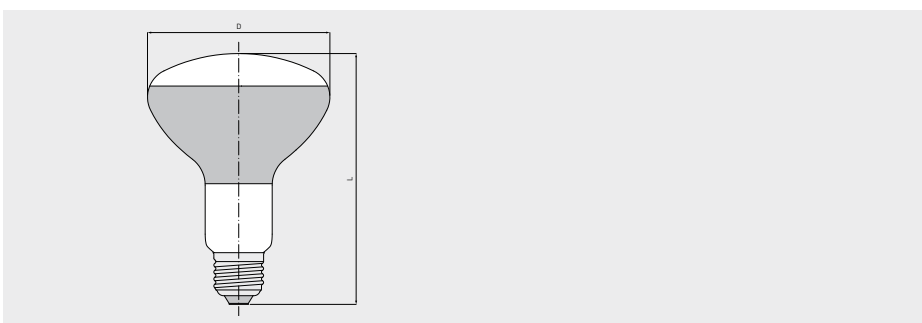
- correspond to Philips Argaphoto lamps
- high-quality materials
- light colour: 3200 K
- matt on the inside
- mirrored on the inside ('R' in the description)

Specific benefits:

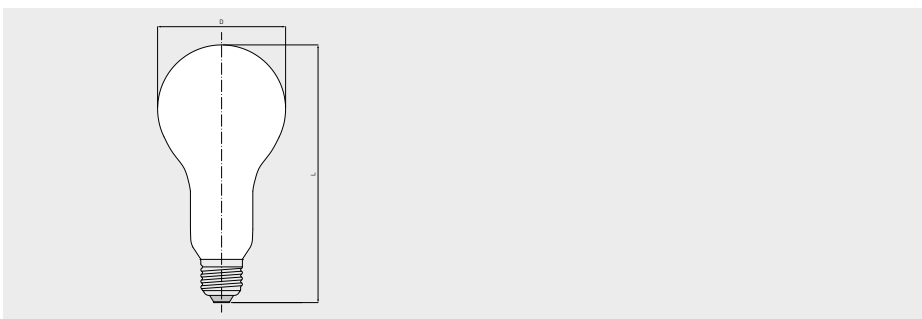
- conventional devices can still be used
- the specification of the lamps corresponds to the specification of these devices
- the light colour corresponds to the specification of these devices

Areas of use:

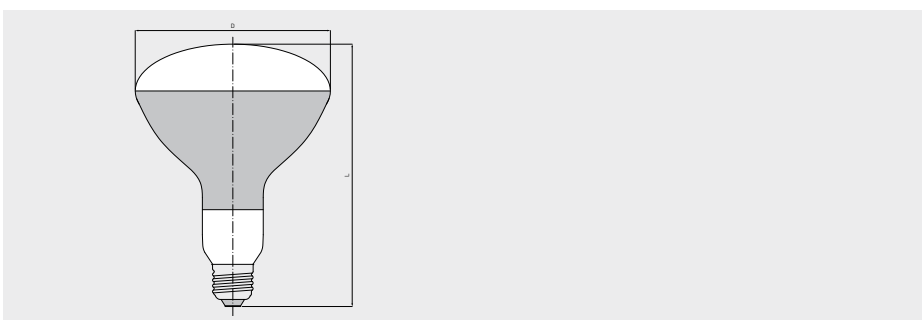
- dark room/set lights for B/W and colour photography



Article no.	Description	V	W	Amperage	Cap	Bulb diameter D max. mm	Total length L max. mm	Light centre length LCL mm	Luminous flux lm	Average life h	Colour temperature K	Burning position	PU
77841423	220V 150W E27/27 R.95x131	220	150		E27	96	135			100	3,200	any	



Article no.	Description	V	W	Amperage	Cap	Bulb diameter D max. mm	Total length L max. mm	Light centre length LCL mm	Luminous flux lm	Average life h	Colour temperature K	Burning position	PU
77841407	220V 500W E27 A.80x165	220	500		E27	81	165		11,000	100	3,200	any	
77841409	240V 500W E27 A.80x165	240	500		E27	81	165		11,000	100	3,200	any	



Article no.	Description	V	W	Amperage	Cap	Bulb diameter D max. mm	Total length L max. mm	Light centre length LCL mm	Luminous flux lm	Average life h	Colour temperature K	Burning position	PU
77841410	220V 500W E27 R125x168	220	500		E27	126.5	171			100	3,200	any	
77841411	240V 500W E27 R125x168	240	500		E27	126.5	171			100	3,200	any	