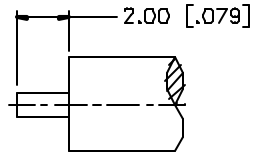
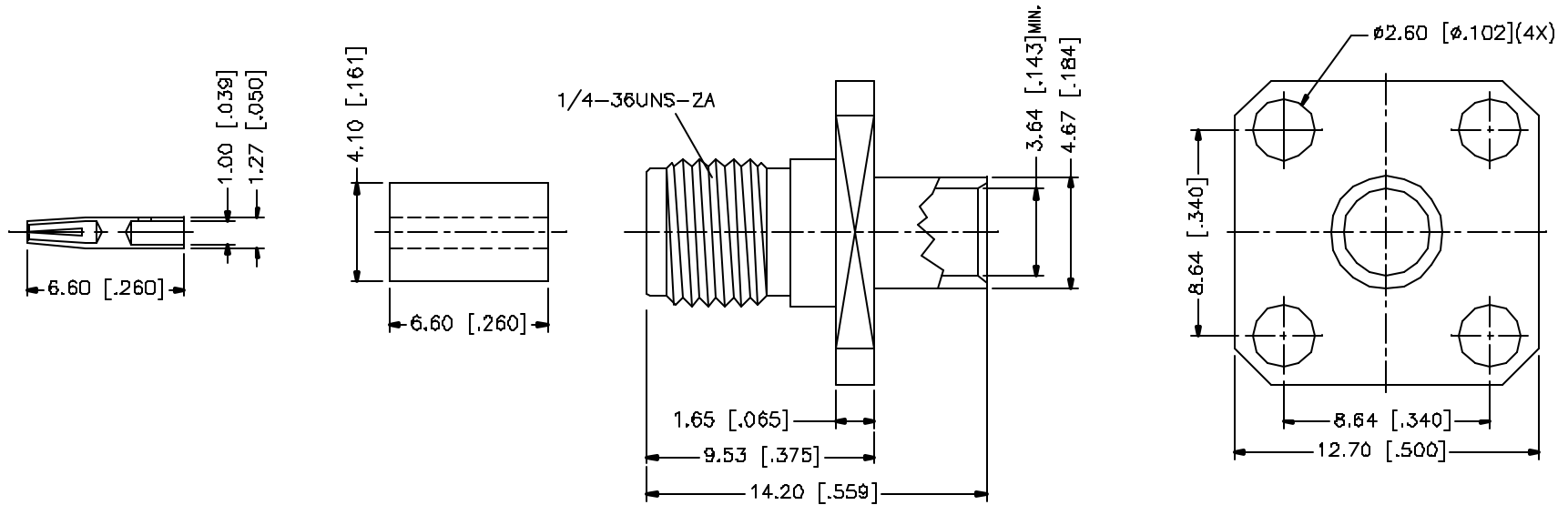


REV.	DATE	DESCRIPTION
A	05/24/05	UPDATE DRAWING FORMAT



RECOMMENDED
CABLE STRIPPING DIM'S



8					<small>UNLESS OTHERWISE SPECIFIED DIMENSIONS ARE IN MILLIMETERS. DIMENSIONS IN [] ARE IN INCHES AND FOR CUSTOMER REFERENCE ONLY.</small> <small>UNLESS OTHERWISE SPECIFIED TOLERANCES FOR MILLIMETERS ARE:</small> 0.5 - 8mm ± 0.20mm 8 - 30mm ± 0.40mm 30 - 120mm ± 0.50mm <small>UNLESS OTHERWISE SPECIFIED TOLERANCES FOR INCHES ARE:</small> .020 - .315 = ± 0.007" .315 - 1.180 = ± 0.015" 1.180 - 4.724 = ± 0.020"	APPROVALS	DATE	<h1 style="color: blue; text-align: center;">Amphenol Connex</h1>					
7				DRAWN		G.R.S.	05/24/05						
6				CHECKED				PART DESCRIPTION					
5				ISSUED				SMA 4-HOLE PANEL JACK (FOR .141" SEMI-RIGID CABLE)					
4				SHEET		1 OF 1					PART NO.		
3	CONTACT PIN	BER. COPPER	GOLD	1			132108						
2	INSULATOR	TEFLON	NATURAL	1			DWC. NO.						
1	BODY	BRASS	GOLD	1			132108.DWG						
	DESCRIPTION	MATERIAL	FINISH	QTY	DO NOT SCALE DRAWING	CAD FILE	C:/132/132108.DWG	REV.	A	SIZE	A	SCALE	NA