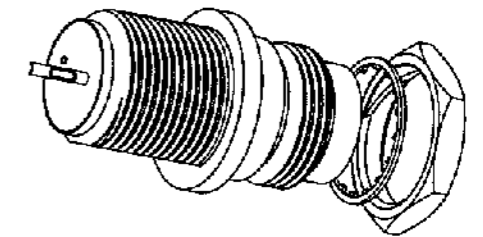


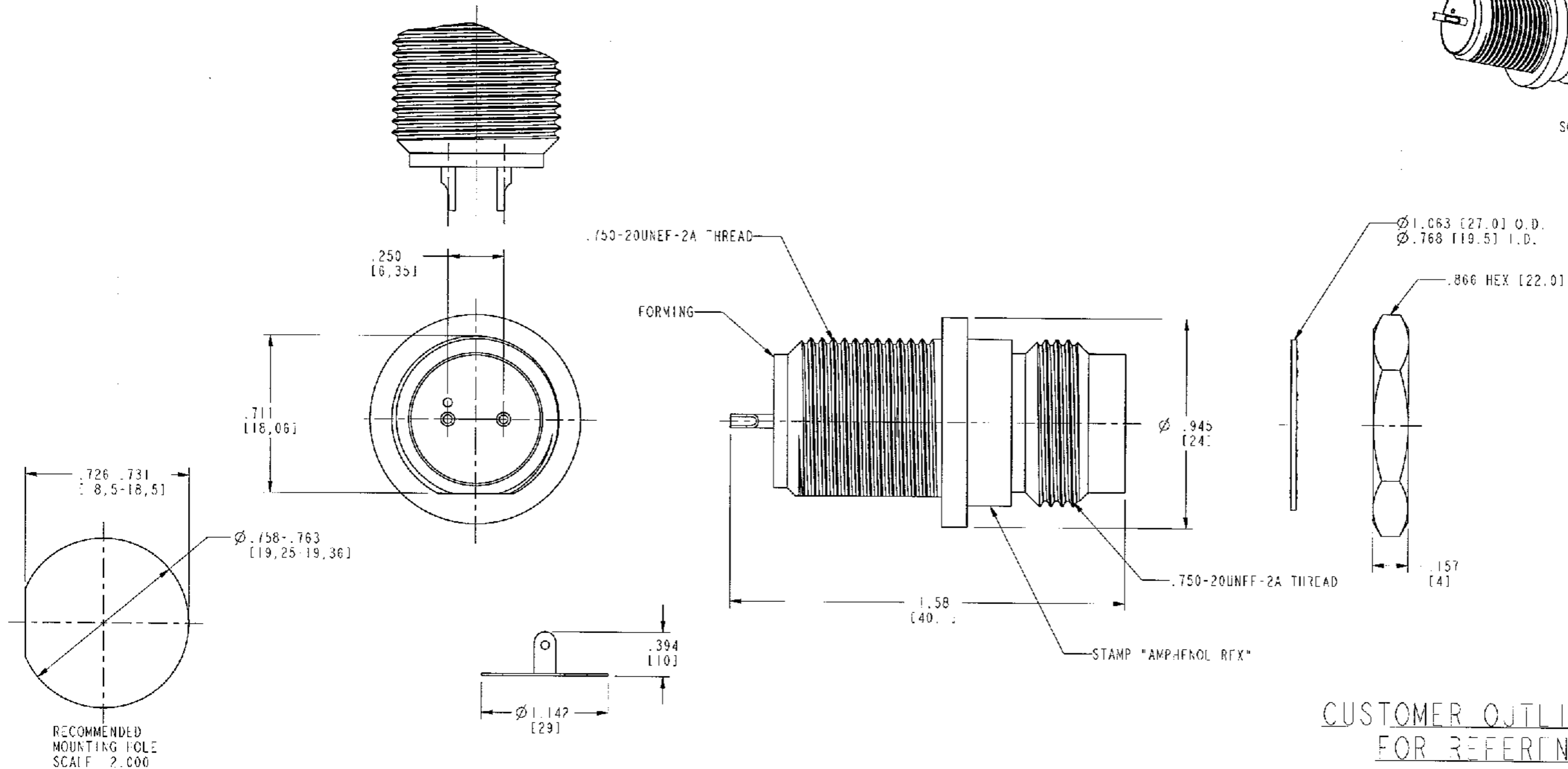
NOTES:

- MATERIALS OF CONSTRUCTION:
 BODY, HEX NUT, PINS = BRASS (QQ-B-626), NICKEL PLATE
 LOCKWASHER & SOLDER TAG = BRASS (QQ-B-613), NICKEL PLATE
 CONTACT PIN = PHOSPHOR BRONZE, GOLD PLATE
 INSULATORS = PBI, COLOR WHITE
- PACKAGE CONNECTOR IN BAG.

82-5590-RFX		REVISIONS			
DRAWING NO.	REV	DESCRIPTION	DATE	ECO	APPR
THIRD ANGLE PROJ.	--	RELEASE TO MFG.			
	B	SEE SHEET 1	5/25/00	43204	CPM



SCALE 1.000



CUSTOMER OUTLINE DRAWING
FOR REFERENCE ONLY.

UNLESS OTHERWISE SPECIFIED, DIMENSIONS ARE IN INCHES AND TOLERANCES ARE:
 2 PLACE DECIMAL ±.015 (0.381 mm)
 3 PLACE DECIMAL ±.005 (0.127 mm)
 ANGLES ±

NOTICE - These drawings, specifications, or other data (1) are, and remain the property of Amphenol Corp. (2) must be returned upon request; and (3) are confidential and not to be disclosed to any person other than those to whom they are given by Amphenol Corp. The furnishing of these drawings, specifications, or other data by Amphenol Corp., or to any other person to anyone for any purpose is not to be regarded by implication or otherwise in any manner licensing, granting rights or permitting such holder or any other person to manufacture, use or sell any product, process or design, patented or otherwise, that may in any way be related to or disclosed by said drawings, specifications, or other data.

MATERIAL	DRAWN	DATE	TITLE	Amphenol Amphenol Corporation Communication and Network Products Division Danbury, CT U.S.A. 06810 SCALE: 2.0:1 SHEET 2 OF 2
REFERENCE	C. McGRATH	01-Dec-99	TWINAXIAL BULKHEAD RECEPT. JACK	
GEN# 82-5590-RFX_ASSY	ENGINEER	DATE		
	T. AUBIN	01-Dec-99		
	APPROVED	DATE		
		5/23/00		
	CAD FILE	CODE ID	DWG SIZE	DRAWING NO.
	I:\ATWIN\82-5590-RFX	7/868	B	82-5590-RFX
				REV
				B