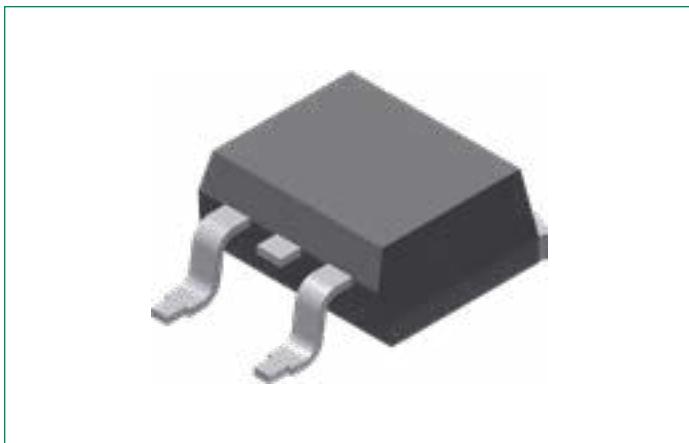


DSSK28-006BS

60 V, 28 A Schottky Rectifier Diode

RoHS

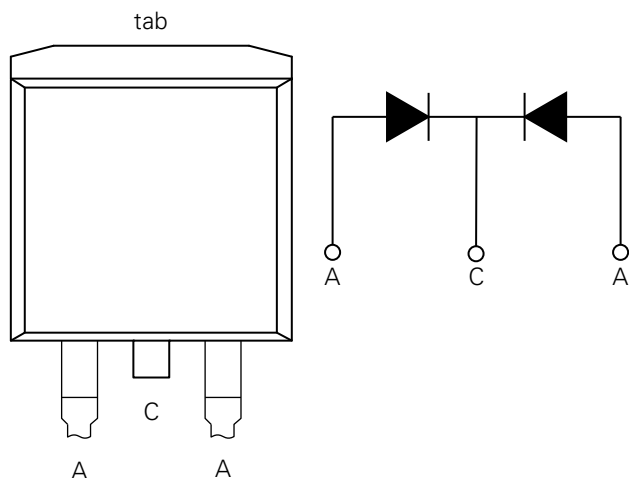
Pb



Features:

- Very low V_F
- Extremely low switching losses
- Low I_{RM} values
- Improved thermal behavior
- High reliability circuit operation
- Low voltage peaks for reduced protection circuits
- Low noise switching
- Terminals finish: 100% pure tin
- This is a Pb-free device
- Epoxy meets UL 94 V-0

Pinout Diagram (TO-263AB)



C: Cathode; **A:** Anode; **tab:** Cathode

Applications:

- Rectifiers in Switch Mode Power Supplies (SMPS)
- Free wheeling diode in low voltage converters

Product Summary

| Characteristic | Value | Unit |
|----------------|-------|------|
| V_{RRM} | 60 | V |
| I_{FAV} | 2 x15 | A |
| V_F | 0.52 | V |

Maximum Ratings ($T_A = 25^\circ\text{C}$ unless otherwise specified)

| Symbol | Characteristics | Condition | Max. | Units |
|-----------|---|---|---------------------------------|-------|
| V_{RRM} | Peak Repetitive Reverse Voltage | – | 60 | V |
| V_{RWM} | Working Peak Reverse Voltage | | | |
| V_R | DC Blocking Voltage | | | |
| I_{FAV} | Average Rectified Forward Current | 50% duty cycle @ $T_C = 135^\circ\text{C}$, rectangular wave form | 15 (Per Leg) 30 (Per Device) | A |
| I_{FSM} | Peak One Cycle Non-Repetitive Surge Current (Per Leg) | 10 ms, Half Sine pulse, $T_{VJ} = 25^\circ\text{C}$ | 300 | A |
| P_{tot} | Total Power Dissipation | $T_C = 25^\circ\text{C}$ | 90 | W |

Electrical Characteristics ($T_A = 25^\circ\text{C}$ unless otherwise specified)

| Symbol | Characteristics | Conditions | Typ. | Max. | Units |
|----------|---|--|------|------|-------|
| V_{F1} | Forward Voltage Drop (Per Leg) ¹ | @ 15 A, Pulse, $T_{VJ} = 25^\circ\text{C}$ | – | 0.56 | V |
| V_{F1} | | @ 15 A, Pulse, $T_{VJ} = 125^\circ\text{C}$ | – | 0.52 | V |
| I_{R1} | Reverse Current (Per Leg)* | @ $V_R = \text{rated } V_R$, $T_{VJ} = 25^\circ\text{C}$ | – | 10 | mA |
| I_{R2} | | @ $V_R = \text{rated } V_R$, $T_{VJ} = 100^\circ\text{C}$ | – | 50 | mA |
| C_T | Junction Capacitance (Per Leg) | @ $V_R = 12 \text{ V}$, $T_C = 25^\circ\text{C}$ $f_{SIG} = 1 \text{ MHz}$ | 526 | – | pF |

Note 1: Pulse width < 300 μs , duty cycle < 2%

Thermal-Mechanical Specifications

| Symbol | Characteristics | Condition | Specification | Units |
|------------|--|--------------|------------------|------------------|
| T_{VJ} | Junction Temperature | – | -55 to +150 | $^\circ\text{C}$ |
| T_O | Operation Temperature | – | -55 to +125 | $^\circ\text{C}$ |
| T_{stg} | Storage Temperature | – | -55 to +150 | $^\circ\text{C}$ |
| F_C | Mounting force with clip | – | Min 20 Max 60 | N |
| R_{thJC} | Maximum Thermal Resistance Junction to Case | DC operation | 1.40 | K/W |
| R_{thCS} | Typical Thermal Resistance Case to Heat Sink | – | 0.50 | K/W |
| wt | Approximate Weight | – | 1.85 | g |

Characteristic Curves

Fig. 1. Typical Forward Characteristics

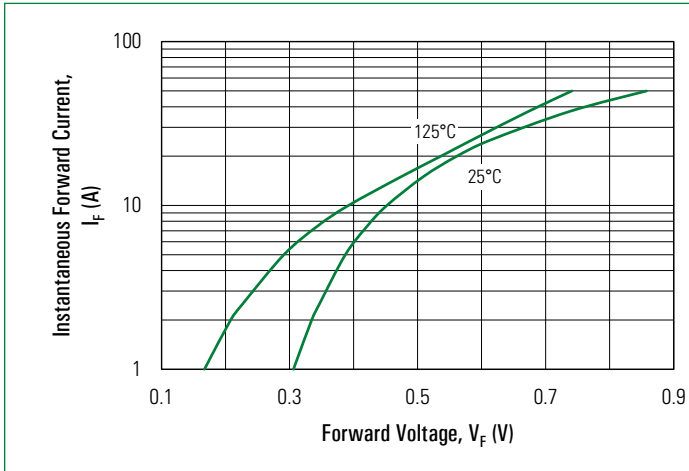


Fig. 2. Typical Reverse Characteristics

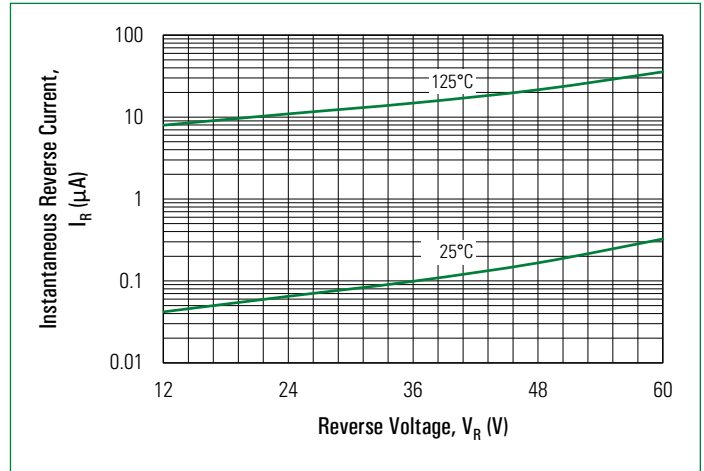
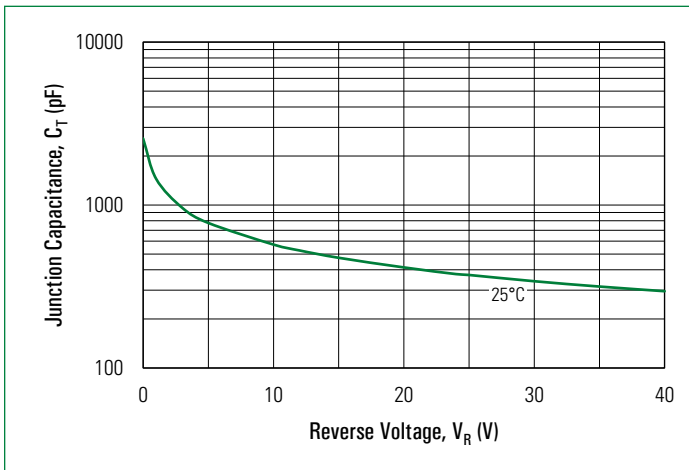
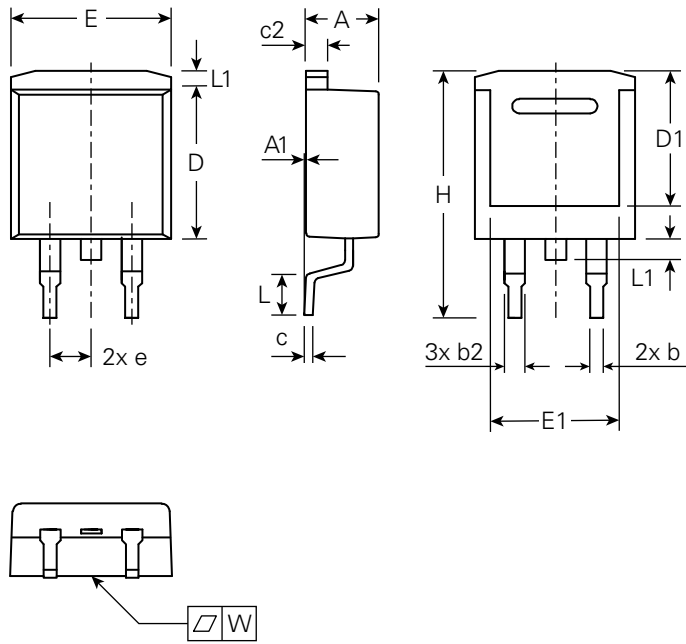


Fig. 3. Typical Junction Capacitance

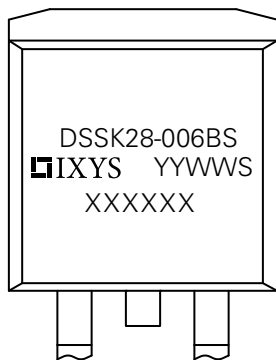


Part Outline Drawing (TO-263AB)



| Symbol | Inches | | | Millimeters | | |
|--------|-----------|---------|-------|-------------|---------|-------|
| | Min. | Typical | Max. | Min. | Typical | Max. |
| A | 0.16 | - | 0.19 | 4.06 | - | 4.83 |
| A1 | 0 | - | 0.010 | 0 | - | 0.26 |
| b | 0.020 | - | 0.039 | 0.51 | - | 0.99 |
| b1 | 0.045 | - | 0.070 | 1.14 | - | 1.78 |
| c | 0.012 | - | 0.029 | 0.31 | - | 0.74 |
| c1 | 0.045 | - | 0.064 | 1.14 | - | 1.65 |
| D | 0.330 | - | 0.379 | 8.38 | - | 9.65 |
| D1 | 0.251 | - | - | 6.40 | - | - |
| E1 | 0.244 | - | - | 6.22 | - | - |
| E2 | 0.379 | - | 0.420 | 9.65 | - | 10.67 |
| e | 0.100 BSC | | | 2.54 BSC | | |
| H | 0.575 | - | 0.625 | 14.61 | - | 15.88 |
| L | 0.070 | - | 0.110 | 1.78 | - | 2.80 |
| L1 | - | - | 0.066 | - | - | 1.68 |
| L2 | - | - | 0.086 | - | - | 2.20 |
| L3 | 0.010 BSC | | | 0.255 BSC | | |

Part Number and Marking

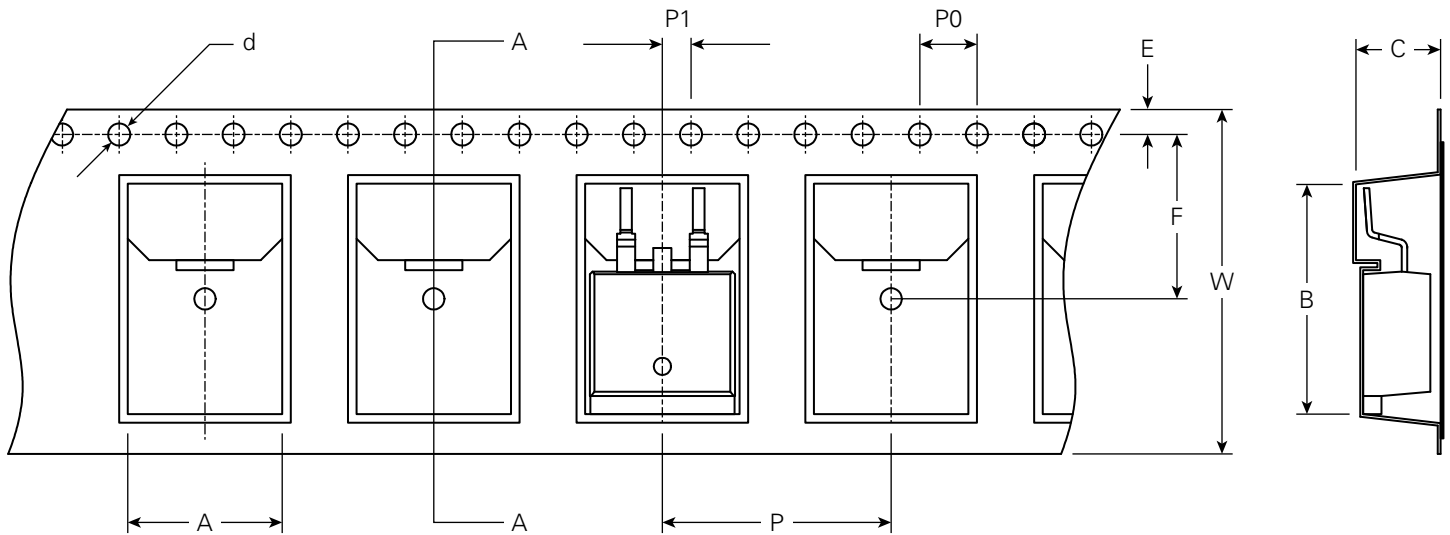


- D = Diode
- S = Schottky Diode
- SK = Product Generation
- 28 = Current Rate
- 006 = Voltage Rating
- BS = Package Code
- YY = Year
- WW = Work Week
- S = Plant Location Code
- XXXXXX = Lot Number

Ordering Information

| Part Number | Marking | Packing Mode | Quantity |
|------------------|--------------|--------------|---------------|
| DSSK28-006BS-TRL | DSSK28-006BS | Reel | 800 pcs/ reel |

Carrier Tape Specification (TO-263AB)



| Symbol | Inches | | | Millimeters | | |
|--------|--------|---------|-------|-------------|---------|-------|
| | Min. | Typical | Max. | Min. | Typical | Max. |
| A | 0.421 | – | 0.429 | 10.70 | – | 10.90 |
| B | 0.631 | – | 0.639 | 16.03 | – | 16.23 |
| C | 0.201 | – | 0.209 | 5.11 | – | 5.31 |
| d | 0.057 | – | 0.065 | 1.45 | – | 1.65 |
| E | 0.065 | – | 0.07 | 1.65 | – | 1.85 |
| F | 0.449 | – | 0.457 | 11.40 | – | 11.60 |
| P0 | 0.153 | – | 0.161 | 3.90 | – | 4.10 |
| P | 0.626 | – | 0.664 | 15.90 | – | 16.10 |
| P1 | 0.075 | – | 0.082 | 1.90 | – | 2.10 |
| W | 0.941 | – | 0.957 | 23.90 | – | 24.30 |

Disclaimer Notice

Information furnished is believed to be accurate and reliable. However, users should independently evaluate the suitability of and test each product selected for their own applications. Littelfuse products are not designed for, and may not be used in, all applications. Read complete Disclaimer Notice at <http://www.littelfuse.com/disclaimer-electronics>.



Part of:

