



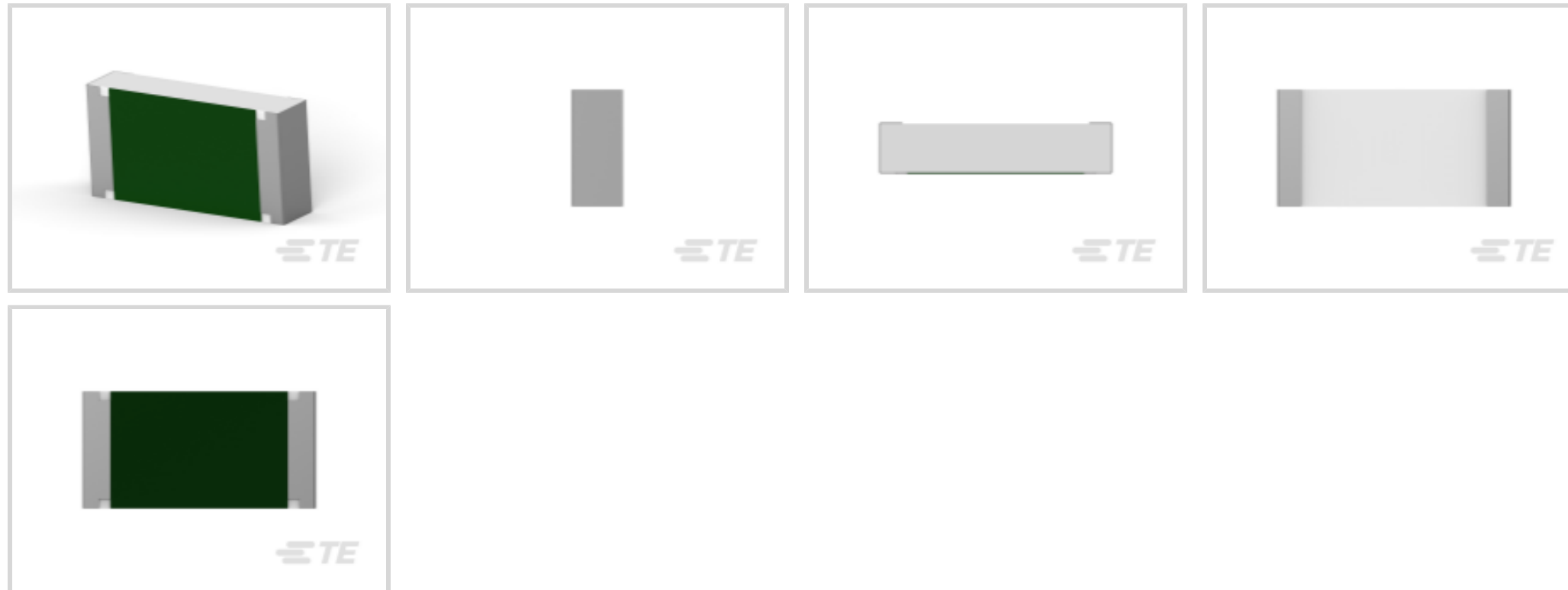
CGS | CGS 3502

TE Internal #: 3-2176397-1

Surface Mount Resistors, Power Resistor, 2 Termination, 2010,
Taped & Reeled, 1 %, Thick Metal Film, Resistance Class Up to 1k Ω ,
18 Ω , 2 W, CGS 3502

[View on TE.com >](#)

Passive Components > Resistors > Surface Mount Resistors



Resistor Type: **Power Resistor**

Number of Terminations: **2**

Package Size Code: **2010**

Packaging Method: **Taped & Reeled**

Passive Component Tolerance: **1 %**

Features

Product Type Features

Product Type	Fixed Resistor
Resistor Type	Power Resistor
Package Size Code	2010
Element Type	Thick Metal Film

Configuration Features

Number of Resistors	1
---------------------	---

Electrical Characteristics

Voltage Rating	200 V
Passive Component Tolerance	1 %
Resistance Class	Up to 1k Ω
Resistance Value	18 Ω
Power Rating	2 W

Termination Features

Number of Terminations	2
------------------------	---

Surface Mount Resistor Termination Type	Solder
---	--------

Dimensions

Passive Component Dimensions	5 x 2.5 x 1.1 mm
------------------------------	------------------

Usage Conditions

Temperature Coefficient	± 100 ppm/ $^{\circ}\text{C}$
-------------------------	-----------------------------------

Packaging Features

Packaging Method	Taped & Reeled
------------------	----------------

Product Compliance

[For compliance documentation, visit the product page on TE.com>](#)

EU RoHS Directive 2011/65/EU	Compliant with Exemptions
EU ELV Directive 2000/53/EC	Compliant with Exemptions
China RoHS 2 Directive MIIT Order No 32, 2016	Restricted Materials Above Threshold
EU REACH Regulation (EC) No. 1907/2006	Current ECHA Candidate List: JUNE 2022 (224) Candidate List Declared Against: JUNE 2022 (224) Does not contain REACH SVHC
Halogen Content	Not Low Halogen - contains Br or Cl > 900 ppm.
Solder Process Capability	Reflow solder capable to 260 $^{\circ}\text{C}$

Product Compliance Disclaimer

This information is provided based on reasonable inquiry of our suppliers and represents our current actual knowledge based on the information they provided. This information is subject to change. The part numbers that TE has identified as EU RoHS compliant have a maximum concentration of 0.1% by weight in homogenous materials for lead, hexavalent chromium, mercury, PBB, PBDE, DBP, BBP, DEHP, DIBP, and 0.01% for cadmium, or qualify for an exemption to these limits as defined in the Annexes of Directive 2011/65/EU (RoHS2). Finished electrical and electronic equipment products will be CE marked as required by Directive 2011/65/EU. Components may not be CE marked. Additionally, the part numbers that TE has identified as EU ELV compliant have a maximum concentration of 0.1% by weight in homogenous materials for lead, hexavalent chromium, and mercury, and 0.01% for cadmium, or qualify for an exemption to these limits as defined in the Annexes of Directive 2000/53/EC (ELV). Regarding the REACH Regulation, the information TE provides on SVHC in articles for this part number is based on the latest European Chemicals Agency (ECHA) 'Guidance on requirements for substances in articles' posted at this URL: <https://echa.europa.eu/guidance-documents/guidance-on-reach>

Compatible Parts

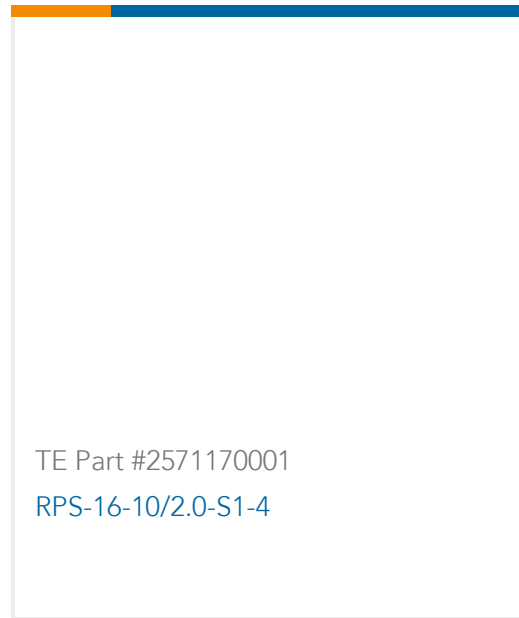
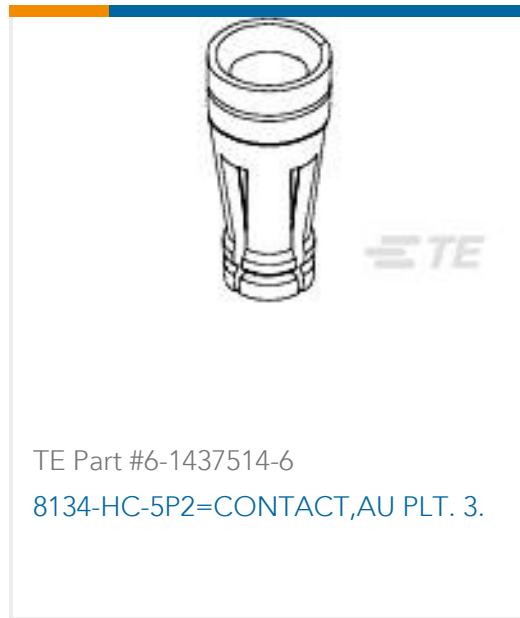


 <p>TE Part # 2-2176398-2 3502 100K 1%</p>	 <p>TE Part # 3-2176399-2 3502 100K 5%</p>	 <p>TE Part # 4-2176397-9 3502 100R 1%</p>	 <p>TE Part # 9-2176398-5 3502 100R 5%</p>
 <p>TE Part # 9-2176397-7 3502 10K 1%</p>	 <p>TE Part # 2-2176399-0 3502 10K 5%</p>	 <p>TE Part # 7-2176398-0 3502 10M 1%</p>	 <p>TE Part # 2-2176397-5 3502 10R 1%</p>
 <p>TE Part # 8-2176398-3 3502 10R 5%</p>	 <p>TE Part # 2-2176398-3 3502 110K 1%</p>	 <p>TE Part # 5-2176397-0 3502 110R 1%</p>	 <p>TE Part # 9-2176397-8 3502 11K 1%</p>
 <p>TE Part # 2-2176397-6 3502 11R 1%</p>	 <p>TE Part # 2-2176398-4 3502 120K 1%</p>	 <p>TE Part # 3-2176399-3 3502 120K 5%</p>	 <p>TE Part # 5-2176397-1 3502 120R 1%</p>
 <p>TE Part # 9-2176398-6 3502 120R 5%</p>	 <p>TE Part # 9-2176397-9 3502 12K 1%</p>	 <p>TE Part # 2-2176399-1 3502 12K 5%</p>	 <p>TE Part # 2-2176397-7 3502 12R 1%</p>

Also in the Series | [CGS 3502](#)



Customers Also Bought



Documents

Product Drawings

[3502 18R 1%](#)

English

CAD Files

[3D PDF](#)

3D

Customer View Model

[ENG_CVM_CVM_3-2176397-1_A.2d_dxf.zip](#)



English

Customer View Model

[ENG_CVM_CVM_3-2176397-1_A.3d_igs.zip](#)

English

Customer View Model

[ENG_CVM_CVM_3-2176397-1_A.3d_stp.zip](#)

English

By downloading the CAD file I accept and agree to the [Terms and Conditions](#) of use.

Datasheets & Catalog Pages

[SMD HIGH POWER RESISTORS - TYPE 3502 SERIES](#)

English