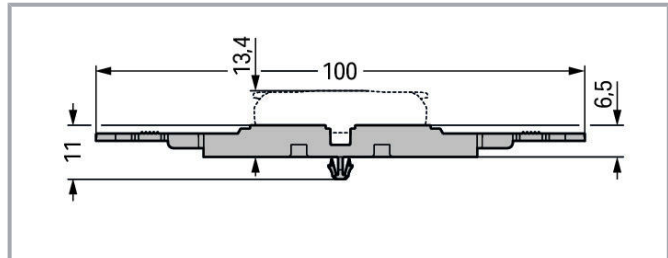
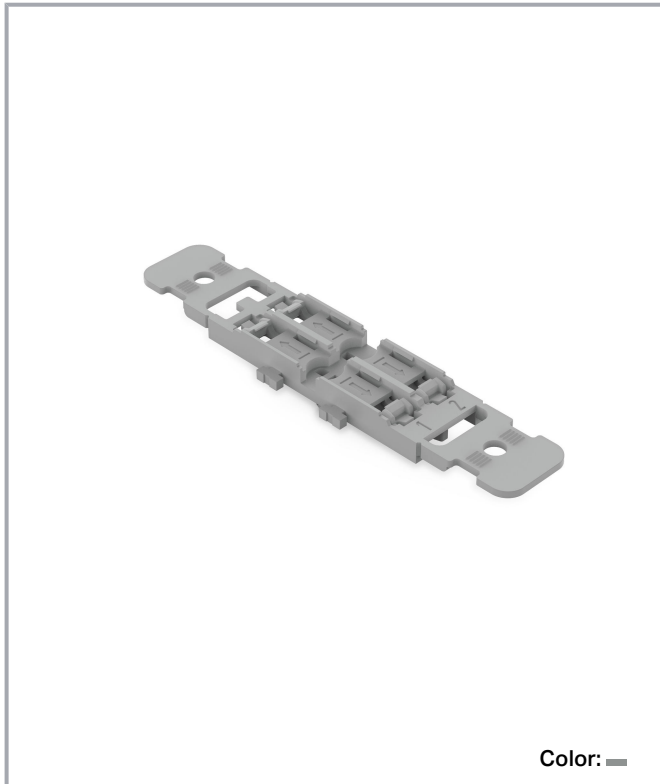


Data sheet | Item number: 221-2512 **NEW**

Mounting carrier with strain relief; 2-way; for inline splicing connector with lever; with snap-in mounting foot; gray



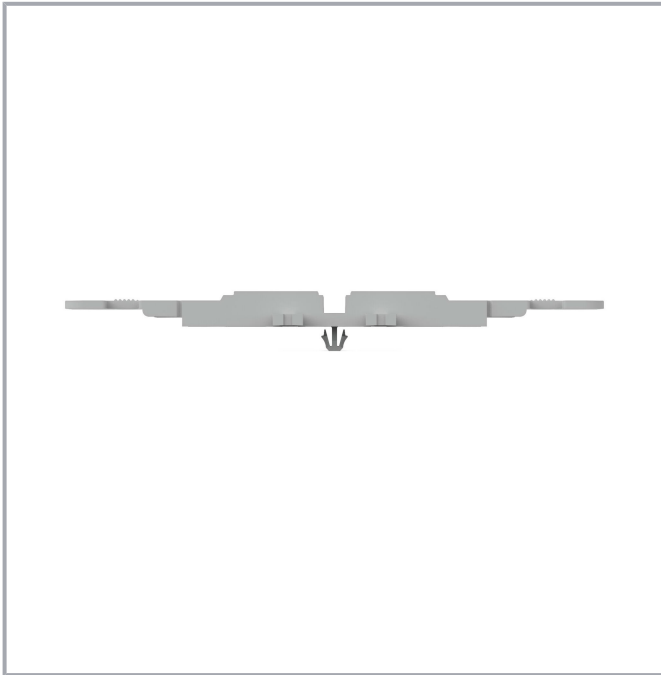
[www.wago.com/221-2512](http://www.wago.com/221-2512)



Subject to changes. Please also observe the further product documentation!

WAGO Kontakttechnik GmbH & Co. KG  
Hansastr. 27  
32423 Minden  
Phone: +49571 887-0 | Fax: +49571 887-169  
Email: [info.de@wago.com](mailto:info.de@wago.com) | Web: [www.wago.com](http://www.wago.com)

Do you have any questions about our products?  
We are always happy to take your call at +49 (571) 887-44222.



## Data

### Physical data

Width	20.8 mm / 0.819 inch
Height from the surface	6.5 mm / 0.256 inch
Depth	100 mm / 3.937 inch

### Material data

Color	gray
Weight	4 g

### Commercial data

Packaging type	BOX
Country of origin	CN
GTIN	4055144066555
Customs tariff number	39269097900

## Compatible products

### Marking accessories


Item no.: 210-334

Subject to changes. Please also observe the further product documentation!

WAGO Kontakttechnik GmbH & Co. KG  
Hansastr. 27  
32423 Minden  
Phone: +49571 887-0 | Fax: +49571 887-169  
Email: [info.de@wago.com](mailto:info.de@wago.com) | Web: [www.wago.com](http://www.wago.com)

Do you have any questions about our products?  
We are always happy to take your call at +49 (571) 887-44222.




 Marking strips; as a DIN A4 sheet; Strip width 5 mm; Strip length 182 mm; plain; Self-adhesive; white [www.wago.com/210-334](http://www.wago.com/210-334)

---

#### assembling

 **Item no.: 209-119**  
Fixing screw; for 209-120 mounting carrier [www.wago.com/209-119](http://www.wago.com/209-119)

 **Item no.: 209-120**  
Mounting foot; can be snapped on terminal blocks with snap-in mounting foot; for mounting on relay-modules; 6.4 mm wide; gray [www.wago.com/209-120](http://www.wago.com/209-120)

 **Item no.: 209-123**  
Mounting foot with screw; can be screwed on terminal blocks with fixing flange; 6.4 mm wide; gray [www.wago.com/209-123](http://www.wago.com/209-123)

---

### Downloads

#### Documentation

##### Additional Information

Technical explanations	3 Apr 2019	pdf 2.2 MB	Download
------------------------	------------	---------------	----------

---

### Environmental Product Compliance

#### Compliance Search

Environmental Product Compliance 221-2512	URL	Download
---	-----	----------

Mounting carrier with strain relief; 2-way; for inline splicing connector with lever; with snap-in mounting foot; gray

---

### Installation Notes

Subject to changes. Please also observe the further product documentation!