

# JY-TECK A-TYPE RATIO METER SERIES

## FEATURES:

- \* DIN SIZE 48x96mm, SHORT HOUSING, EASY ASSEMBLY OR MAINTENANCE.
- \* AUTOMATIC IN-PUT SIGNAL POLARITY INDICATION.
- \* BRIGHT LED DISPLAY FOR OBVIOUS READING.
- \* LSI I.C. FOR STEADY INDICATION AND ACCURACY.
- \* BUILD-IN QUARTZ TIME-BASE CIRCUIT.
- \* DISPLAY "1888" OR "18888" RAEDING WITH BROKEN LINE INDICATION OF ZERO SIGNAL.
- \* EXTERNAL ADJUSTABLE SPAN ON FRONT PANEL.



## APPLICATIONS:

- \* FLOW METER.
- \* LEVEL METER.
- \* INSTRUMENTS.
- \* THERMAL METER.
- \* PRESSURE METER.

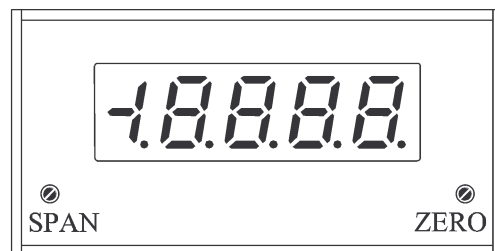
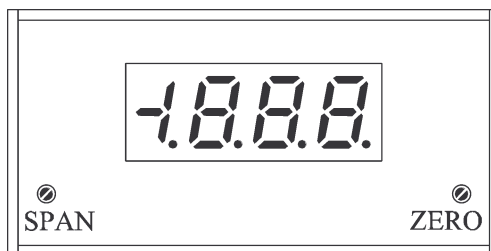
## GENERAL SPECIFICATIONS:

SAMPLING RATE	3 TIMES / SECOND (A153-SERIES). 2.5 TIMES / SECOND (A154-SERIES).
TIME BASE	40 KHz (A153-SERIES). 100 KHz (A154 -SERIES).
ACCURACY	≤ 0.05% ± 1 Digit.
BROKEN-LINE INDICATION	DISPLAY "1888" (A153-SWRUES) DISPLAY "18888" (A154-SWRIES).
DISPLAY	0.56" HIGH RED LED DISPLAY.
POWER SOURCE	AC110/220V ± 15% .50/60 Hz.
POWER CONSUMPTION	≤ 2.0 WATT.
OPERATING TEMPERATURE	0~50 °C.
OPERATING HUMIDITY	0~85 %.

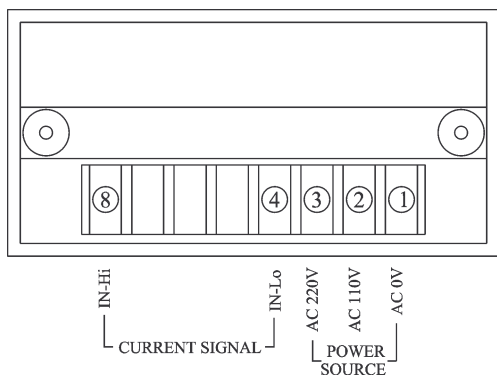
## SPECIFICATIONS:

PART NO.	DIGIT	IN-PUT SIGNAL	DISPLAY	RESOLUTION	IN-PUT IMPEDANCE
A153A10D	3.5 DIGIT	4.0-20.0 mA/DC	0.1-100.0%	0.1%	≅ 10.0 ohm
A153CUSD	" "	-----	OPTIONAL BY CUSTOMER	-----	-----
A154B20D	4.5 DIGIT	4.0-20.0 mA/DC	0.01-100.00%	0.01%	≅ 100.0 ohm
A154CUSD	" "	-----	OPTIONAL BY CUSTOMER	-----	-----

## ZERO / SPAN ADJUST V . R . (UNDER PANEL COVER) :



**TERMINAL & WIRING (BACK VIEW):**



**DIMENSIONS & PANEL CUT-OUT AREA (Unit: m/m.):**

