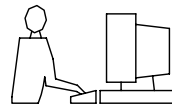
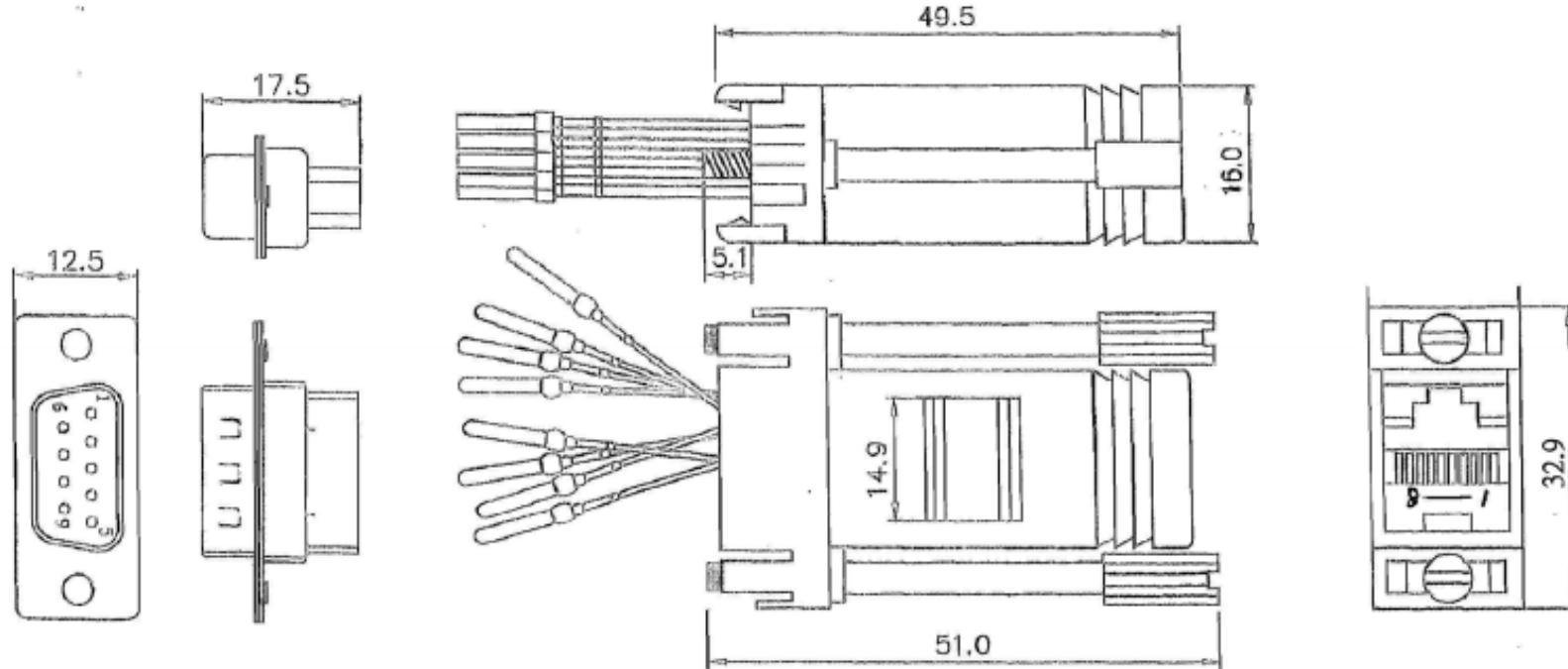


THIS IS A C.A.D. GENERATED DRAWING
DO NOT MAKE MANUAL REVISIONS TO MASTER.



* UNLESS OTHERWISE SPECIFIED TOLERANCES
ON DECIMAL IS: ANGLE $\pm 1^\circ$
UNIT: MM .XX ± 0.35



POSITION	COLOUR
1	Black
2	Yellow
3	Orange
4	Red
5	Green
6	Brown
7	Grey
8	Blue

ORDERING INFORMATION:

SIZE	P/N - KITTED	PRODUCT CODE
9-WAY	2112-0101-11	MHDA09-PMJ8-K-RC

NOTE:

- 1.General Tolerance: $\pm 0.2\text{mm}$
- 2.Plastic Shell Nickel plated
- 3.D-SUB/Shell Separately

THESE DRAWINGS AND SPECIFICATIONS ARE THE PROPERTY OF MH CONNECTORS LTD. AND SHALL NOT BE REPRODUCED, COPIED OR USED AS THE BASIS FOR THE MANUFACTURE OR SALE OF APPARATUS WITHOUT WRITTEN PERMISSION.			DRAWN Johnny		DATE 03-26-13	
			APPROVED		DATE	
SCALE		SHEET OF		REV:		
		1 OF 1		1.0		
DRAWING No MHDA09-PMJ8-K-RC						



THIS SERIES FULLY CONFORMS TO THE EUROPEAN UNION DIRECTIVES 2002/95/EC AND 2002/96/EC FOR RoHS COMPLIANCY.



MH CONNECTORS LTD.