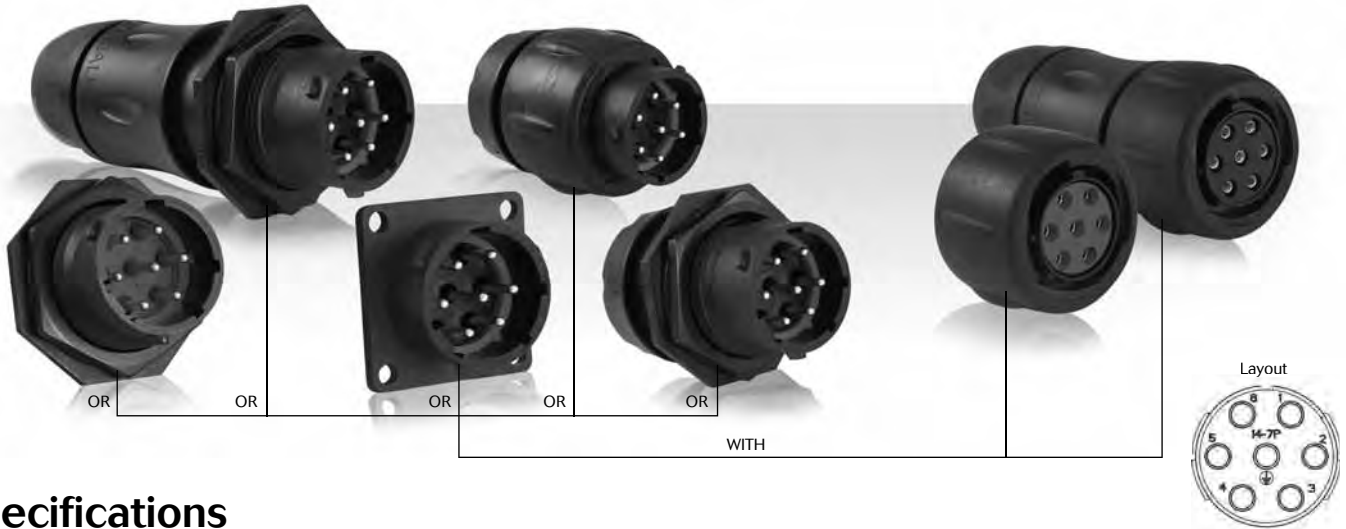


# UTS Series

## 147 - 14E7/14D7



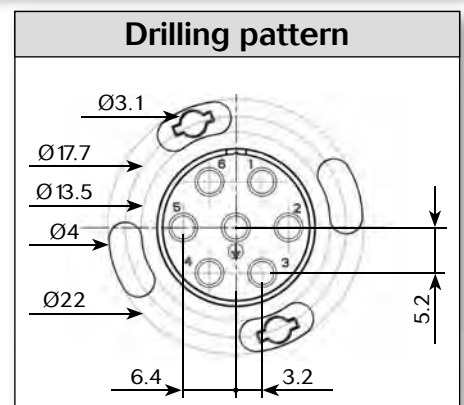
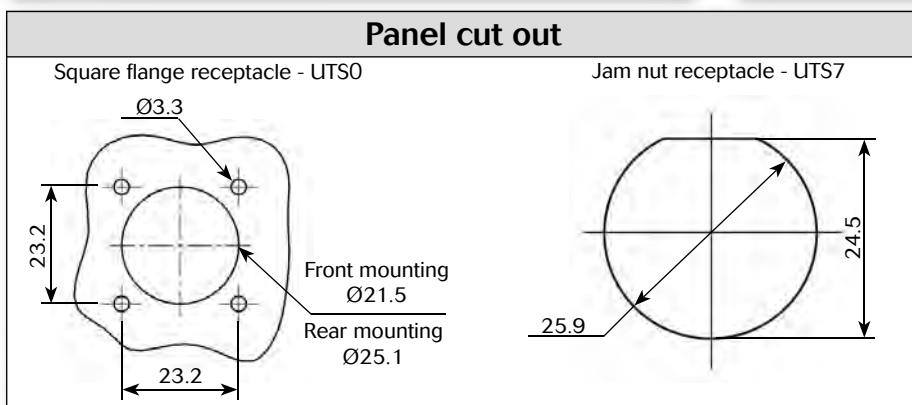
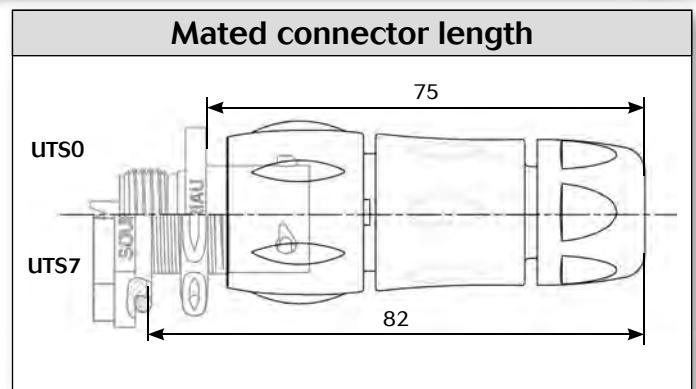
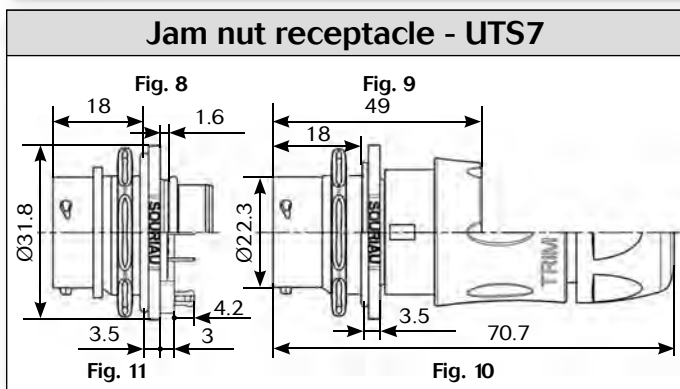
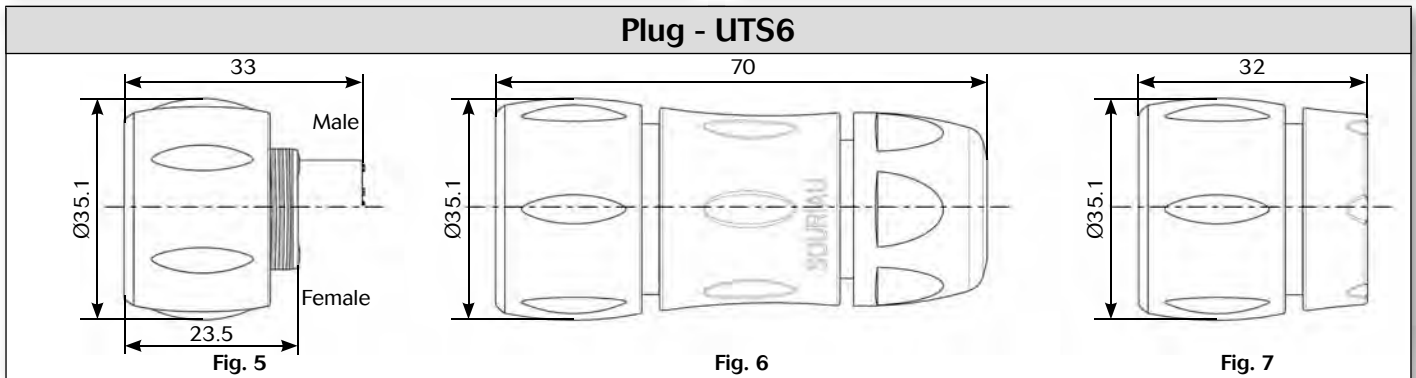
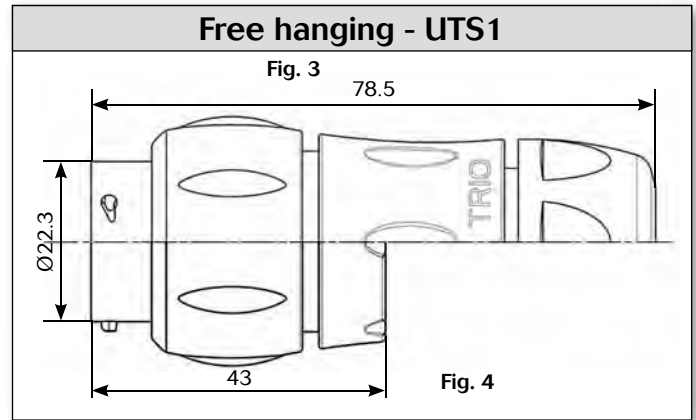
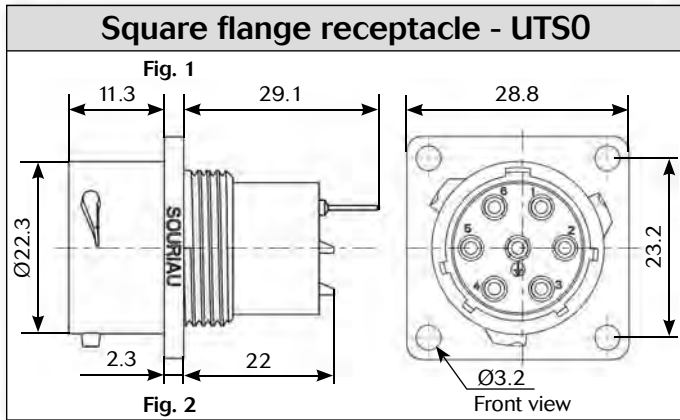
## Specifications

Contact type	Connector type	Backshell	Part number	
			Male insert	Female insert
Crimp contacts supply separately see page 91	Square flange receptacle	Without (Fig.2)	UTS0147P	
	Free hanging receptacle	Cable gland and grommet (Fig.3)	UTS1GJC147P	
	Free hanging receptacle	Nut and grommet (Fig.4)	UTS1GN147P	
	Free hanging receptacle	Cable gland (Fig.3)	UTS1JC147P	UTS1JC147S
	Plug	Without (Fig.5)	UTS6147P	UTS6147S
	Plug	Cable gland and grommet (Fig.6)		UTS6GJC147S
	Plug	Nut and grommet (Fig.7)		UTS6GN147S
	Plug	Cable gland (Fig.6)	UTS6JC147P	UTS6JC147S
	Jam nut receptacle	Without (Fig.8)	UTS7147P	UTS7147S
	Jam nut receptacle	Cable gland and grommet (Fig.10)	UTS7GJC147P	
	Jam nut receptacle	Nut and grommet (Fig.9)	UTS7GN147P	
	Jam nut receptacle	Without (Fig.8)	UTS7147PSCR	UTS7147SSCR
Handsolder electrical contacts loaded	Square flange receptacle	Without (Fig.2)	UTS014E7P	UTS014E7S
	Plug	Cable gland (Fig.6)	UTS6JC14E7P	UTS6JC14E7S
	Jam nut receptacle	Without (Fig.11)	UTS714E7P	UTS714E7S
PCB contacts loaded	Square flange receptacle	Without (Fig.1)	UTS014D7P	UTS014D7S
	Jam nut receptacle with stand off and hold down clips	Without (Fig.11)	UTS714D7P32	UTS714D7S32
	Jam nut receptacle with stand off and without hold down clip	Without (Fig.11)	UTS714D7P	UTS714D7S
	Jam nut receptacle	With stand off and hold down clip (Fig.11)	UTS7147PSEK9	
Screw contacts loaded	Free hanging receptacle	Cable gland (Fig.3)	UTS1JC147PSCR	
	Plug	Cable gland (Fig.6)	UTS6JC147PSCR	UTS6JC147SSCR

Sealed unmatred



### Dimensions



Note: all dimensions are in mm



### Accessories and tooling

Jam nut sealing caps	
	
Part number	Part number
UTS14DCG	UTS14DCGR

Metal terminal

Handle

Part number
SHANGLES

Tool kit

Part number
TOOLKIT

Plug sealing cap


Part number
UTS614DCG




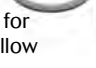
Square flange sealing cap

Part number
UTS14DCGE




Metal terminal

Plastic protective cap	
	
Part numbers	
Receptacle cap	Plug cap
85005588A	85005597

Gasket

Part numbers / neoprene
UTFD14B

Color coding rings												
G for Green		<table border="1"> <thead> <tr> <th colspan="2">Part numbers</th> </tr> <tr> <th>Receptacles</th> <th>Plugs</th> </tr> </thead> <tbody> <tr> <td>UTS714CCR</td> <td>UTS614CCR</td> </tr> <tr> <td>UTS714CCRY</td> <td>UTS614CCRY</td> </tr> <tr> <td>UTS714CCRG</td> <td>UTS614CCRG</td> </tr> </tbody> </table>	Part numbers		Receptacles	Plugs	UTS714CCR	UTS614CCR	UTS714CCRY	UTS614CCRY	UTS714CCRG	UTS614CCRG
Part numbers												
Receptacles	Plugs											
UTS714CCR	UTS614CCR											
UTS714CCRY	UTS614CCRY											
UTS714CCRG	UTS614CCRG											
Y for Yellow												
R for Red												
												

\* Add G for Green, Y for Yellow, R for Red

Crimp tooling			
			
Contacts	Contact size	Part number of head	
RM/RC 28M1K <sup>(1)</sup>	Standard contacts #16 Ø 1.6mm	S16RCM20	
RM/RC 24M9K <sup>(1)</sup>		S16RCM20	
RM/RC 20M13K <sup>(1)</sup>		S16RCM20	
RM/RC 20M12K <sup>(1)</sup>		S16RCM20	
RM/RC 16M23K <sup>(1)</sup>		S16RCM16	
RM/RC 14M50K <sup>(1)</sup>		S16RCM1450	
RM/RC 14M30K <sup>(1)</sup>		S16RCM14	
SM/SC 24ML1TK6 <sup>(1)</sup>		S16SCM20	
SM/SC 20ML1TK6 <sup>(1)</sup>		S16SCM20	
SM/SC 16ML1TK6 <sup>(1)</sup>		S16SCML1	
SM/SC 14ML1TK6 <sup>(1)</sup>		S16SCML1	
SM/SC 16ML1TK6 <sup>(1)</sup>		S16SCML11	
RMDXK10D28K		Coaxial contacts	M10S-1J
RCDXK1D28K			M10S-1J
RM/RC DX60xxD28K	M10S-1J		
RM/RC DXK10D28 + york090	M10S-1J		
RM/RC DX60xxD28		M10S-1J	

(1): example of plating, for other plating see UTS catalog page 143



### Contacts

#16	Contact type	AWG	Part number		Max wire Ø	Max insulator Ø
			Male	Female		
Crimp	Machined	30-28	RM28M1K <sup>(1)</sup>	RC28M1K <sup>(1)</sup>	0.55	1.1
		26-24	RM24M9K <sup>(1)</sup>	RC24M9K <sup>(1)</sup>	0.8	1.6
		22-20	RM20M13K <sup>(1)</sup>	RC20M13K <sup>(1)</sup>	1.18	1.8
		22-20	RM20M12K <sup>(1)</sup>	RC20M12K <sup>(1)</sup>	1.18	2.2
		20-16	RM16M23K <sup>(1)</sup>	RC16M23K <sup>(1)</sup>	1.8	3.2
		16-14	RM14M50K <sup>(1)</sup>	RC14M50K <sup>(1)</sup>	2.05	3.2
		16-14	RM14M30K <sup>(1)</sup>	RC14M30K <sup>(1)</sup>	2.28	3.2
	Stamped & formed reeled contacts	26-24	SM24M1TK6 <sup>(1)(2)</sup>	SC24M1TK6 <sup>(1)(2)</sup>	0.89-1.28	-
		22-20	SM20M1TK6 <sup>(1)(2)</sup>	SC20M1TK6 <sup>(1)(2)</sup>	1.17-2.08	-
		18-16	SM16M1TK6 <sup>(1)(2)</sup>	SC16M1TK6 <sup>(1)(2)</sup>	3.0	-
18-16		SM16M11TK6 <sup>(1)(2)</sup>	SC16M11TK6 <sup>(1)(2)</sup>	2.0-3.0	-	
14		SM14M1TK6 <sup>(1)(2)</sup>	SC14M1TK6 <sup>(1)(2)</sup>	3.2	-	
PCB	Machined <sup>(3)</sup>	-	RM20M12E8K <sup>(1)</sup>	RC20M12E84K <sup>(1)</sup>	-	-
Coaxial	Cable Multipiece	-	RMDXK10D28	RCDXK1D28	-	-
	Cable Monocrimp	-	RMDX60xxD28	RCDX60xxD28	-	-
	Twisted pair Multipiece	-	RMDXK10D28 + york090	RCDXK1D28 + york090	-	-
	Twisted pair Monocrimp	-	RMDX60xxD28	RCDX60xxD28	-	-
Fiber optic	POF contacts Plastic optical fibre	-	RMPOF1000	RCPOF1000B	-	-

(1): Example of plating, for other plating see page 143  
 (2): Loose piece contact available if putting L. Example: SM20ML1-TK6  
 (3): For dimensions see page 148

Electrical characteristics
<p><b>UL</b> 10A 500V UL94 V-0</p> <p><b>CSA</b> 7A 500V UL94 V-0</p> <p><b>IEC</b> 16A 300V 4kV 3 Temperature elevation: 50°C</p>

