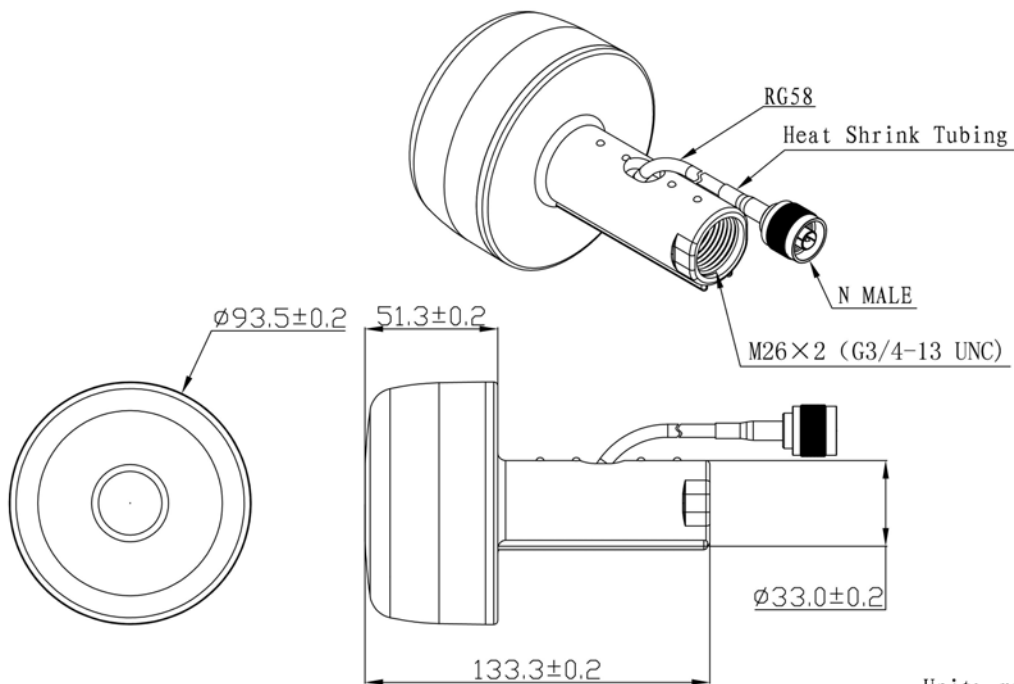


GPS Active Navigation Antenna **JCA005**



DIMENSIONS



Unit: mm

JIAXING JINCHANG ELECTRONIC TECHNOLOGY CO.,LTD

Add: 398#, Zhenye Road, South Street, Jiaxing, Zhejiang, China

Http:// www.jinchanggps.com

E-mail: jcgps@vip.163.com

Tel: 86-0573-83692157/83692605/83958637 Fax: 86-0573-83958635

SPECIFICATIONS

Item	Specifications	
Antenna	Center Frequency	1575.42 ± 1MHz
	Band Width	CF ± 5MHz
	Polarization	RHCP
	Gain	5dBic (Zenith)
	V.S.W.R	< 1.5
	Impedance	50 Ω
LNA	Gain	42 ± 2dB
	Noise Figure	< 1.3
	Filter Insertion Loss	< 3dB
	Ex-band Attenuation	12dB@CF+50MHz/16dB@CF-50MHz
	Supply Voltage	3~5V DC
	Current Consumption	18~35mA
	V.S.W.R	< 2.0
Mechanical	Cable	RG58 or others
	Connector	N or others
	Radome Material	ABS
	Mounting Method	Screw
Environmental	Operating Temperature	-40°C ~ +85°C
	Relative Humidity	Up to 95%
	Ingress Protection	IP67
	Vibration	10 to 55Hz with 1.5mm amplitude 2hours
	Environmentally Friendly	ROHS Compliant

Radiation Pattern

