

# Test adapters

## Board guides



Top: with locking lever, left short, right long;  
bottom: without locking lever, left short, right long

11192009

■ To hold and lock modules that have to be tested (for replacement purposes only, board guides are included in delivery of all test adapters)

### ■ Versions

- Short board guide with/without locking lever
- Long board guide with/without locking lever

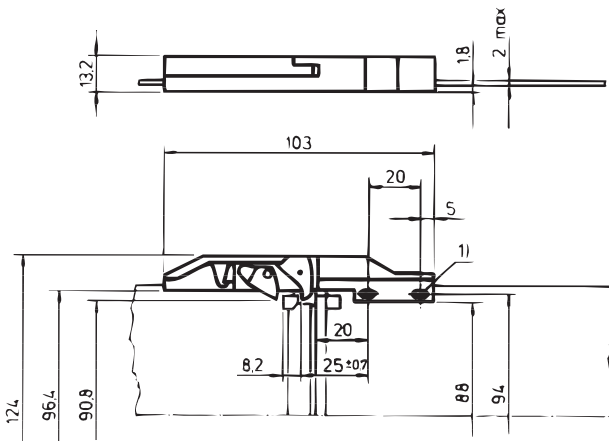
### Order Information

Description	Qty/PU	Part no.
Type: short, with locking lever	2	60800-834
Type: short, without locking lever	1	60800-032
Type: long, with locking lever	2	20800-212
Type: long, without locking lever	2	20800-213



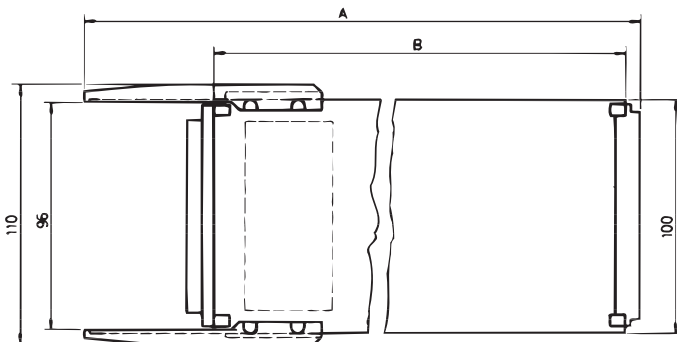
For further information [www.schroff.biz/oneclick](http://www.schroff.biz/oneclick)

oneClick search code = Part no.



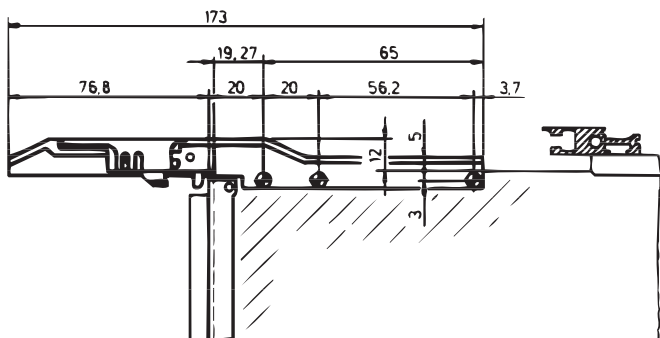
Short board guide

A4-1908



Short board guide without locking lever  
A, B, see "Dimensions test adapters"

A4-2411



Long board guide without locking lever

A4-2551