

# L.652-S | Safety T-Handles

Technopolymer, push action



- 1
- 2
- 3
- 4
- 5
- 6
- 7
- 8
- 9
- 10
- 11
- 12
- 13
- 14
- 15
- 16
- 17
- 18

## MATERIAL

Glass-fibre reinforced polyamide based (PA) technopolymer, black colour, matte finish with "PUSH" tampoprinted in grey colour. Avoid contact with solvents, alcohol or detergents containing alcohol to prevent deterioration of the tampoprinted inscription.

## CENTRE CAP

Technopolymer, black colour. On request and for sufficient quantities, it can be supplied in yellow RAL 1021 (safety) or in other colours, with customised graphic symbols, marks or writing.

## STANDARD EXECUTIONS

Glass-fibre reinforced technopolymer clamping element with tothing and retaining pin, black colour, with knurling on the protruding part to make initial tightening easier. AISI 302 stainless steel return spring.

- **L.652-S-B**: brass boss, threaded blind hole.
- **L.652-S-p**: zinc-plated steel threaded stud, chamfered flat end  
UNI 947 : ISO 4753 (see Technical data on page A-10).

## FEATURES AND APPLICATIONS

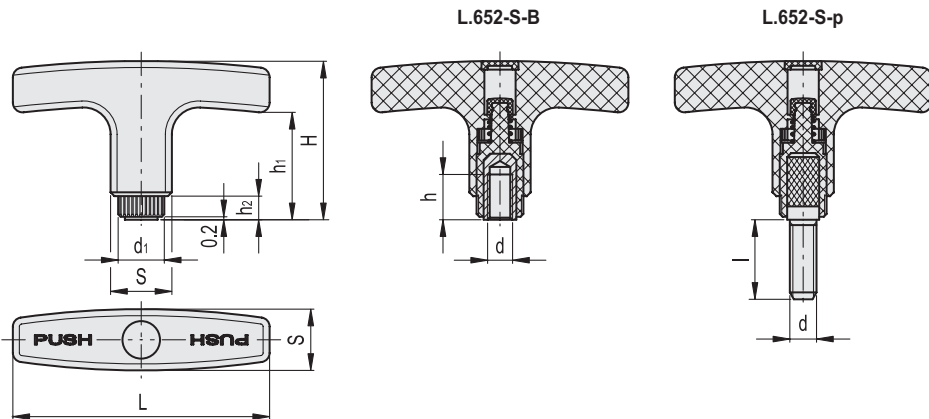
Particularly suitable where the handle needs to turn freely to avoid that clamping may be accidentally affected.

## INSTRUCTIONS OF USE

Press the handle to engage the tothing and turn it. By releasing the handle the spring releases the tothing, thus the handle returns to the rest position.



ELESA Original design



## L.652-S-B

Code	Description	L	d6H	S	H	d1	h	h1	h2	Teeth no.	△
32531	L.652-S/67 B-M5	67	M5	16	41	12	10	29	4	18	34
32533	L.652-S/67 B-M6	67	M6	16	41	12	10	29	4	18	32
32563	L.652-S/80 B-M6	80	M6	20	47	15	16	31.5	5.5	20	46
32565	L.652-S/80 B-M8	80	M8	20	47	15	13	31.5	5.5	20	44

## L.652-S-p

Code	Description	L	d6g	S	H	d1	h1	h2	l	Teeth no.	△
32541	L.652-S/67 p-M5x10	67	M5	16	41	12	29	4	10	18	23
32542	L.652-S/67 p-M5x16	67	M5	16	41	12	29	4	16	18	25
32552	L.652-S/67 p-M6x16	67	M6	16	41	12	29	4	16	18	27
32553	L.652-S/67 p-M6x25	67	M6	16	41	12	29	4	25	18	30
32571	L.652-S/80 p-M8x20	80	M8	20	47	15	31.5	5.5	20	20	43
32572	L.652-S/80 p-M8x25	80	M8	20	47	15	31.5	5.5	25	20	45
32582	L.652-S/80 p-M10x30	80	M10	20	47	15	31.5	5.5	30	20	51

Fixed & Revolving handles