

MATERIAL

Oval flat cross section aluminium, epoxy resin coating, glossy finish.

COLOUR

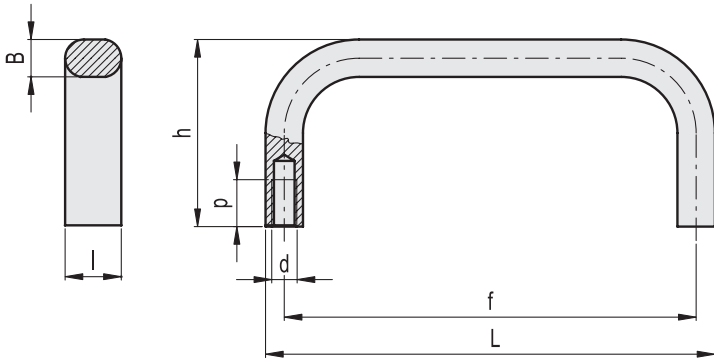
RAL 9002 white.

STANDARD EXECUTION

Threaded blind holes.

FEATURES AND APPLICATIONS

This handle, of white colour, is particularly suitable for applications on medical and hospital equipment and on food processing machines whose parts, for hygienic reasons, must be frequently cleaned. Its solid shape without cavities prevents unhealthy residues from depositing. Its glossy surface allows a perfect cleaning.



Code	f	d	p	L	B	l	△
RHOA-12.055.9002	55	M5	10	63	8	12	24
RHOA-12.088.9002	88	M5	10	96	8	12	30
RHOA-12.100.9002	100	M5	10	108	8	12	32
RHOA-12.120.9002	120	M5	10	128	8	12	37
RHOA-12.180.9002	180	M5	10	188	8	12	50
RHOA-12.200.9002	200	M5	10	208	8	12	55
RHOA-12.235.9002	235	M5	10	243	8	12	64
RHOA-12.250.9002	250	M5	10	258	8	12	68