

## M4 Male to Female Brass PCB Spacers



### DESCRIPTION

7mm AF hexagonal male to female brass spacers with an M4 tapped hole and threaded stud.

### DISTINCTIVE FEATURES

- All sizes have undercut as standard
- No need for washers in assembly
- Flush fit

### APPLICATIONS

Mounting printed circuit boards or other panels on to a chassis. Ideal for applications where non-ferrous parts are required.

Brass

M-F

M4

Undercut





## GENERAL SPECIFICATION

Series	Brass PCB Spacers
Type	Male-Female (M-F) M4 thread
Across Flats (AF)	7mm
Stud Length	8mm



## MATERIALS

Material	Material acc. to DIN 17660: Cu Zn 39 Pb 3
Material Number	2.0401
Finish	Surface finish acc. to DIN 267: nickel plated (G 3 E)
Tensile Strength	Minimum 430 N/mm <sup>2</sup>
Elongation after fracture min. (%)	11



## CERTIFICATION AND STANDARDS

Material Specification	DIN 17660
Plating Specification	DIN 267
Undercut Specification	DIN 76-B



## ENVIRONMENTAL/OPERATING SPECIFICATION

Maximum Tightening Torque	1.2 Nm
---------------------------	--------



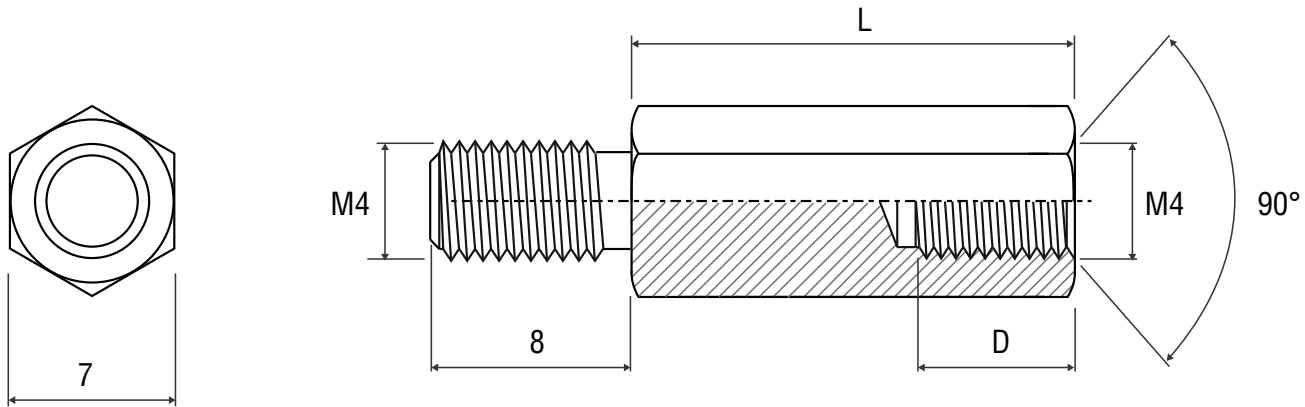
## OPTIONS (MOQ may apply)

Length	Custom lengths are available
Material	E.g., steel, stainless steel, aluminium
Undercut	Available without undercut



## DIMENSIONS/DRAWINGS

Dimensions	mm
------------	----



## PART NUMBER TABLE

Part Number Units	Body Length (L) mm	Pack quantity (pieces)	Thread Depth (D) mm	Weight (per piece) g	EAN	UNSPSC	Country of origin
<b>52-4379</b>	8	25	5	2.76	5053556004157	31161816	Germany
<b>52-4381</b>	10	25	6	3.452	5053556004164	31161816	Germany
<b>52-4382</b>	12	25	7	3.95	5053556004171	31161816	Germany
<b>52-4384</b>	15	25	10	4.84	5053556004188	31161816	Germany
<b>52-4385</b>	20	25	10	6.512	5053556004195	31161816	Germany
<b>52-4387</b>	40	25	10	13.78	5053556004201	31161816	Germany

For further information on pricing, delivery, and long-term stock agreements please contact your local business development person, telephone our main office on **01206 838000** or email **Sales@Rapidonline.com**.

# R-TECH

Tried & trusted technology

**Important Notice:** This data sheet and its contents (the "Information") belong to Rapid Electronics Limited or are licensed to it. No licence is granted for the use of it other than for information purposes in connection with the products to which it relates. No licence of any intellectual property rights is granted. The Information is subject to change without notice and replaces all data sheets previously supplied. The Information supplied is believed to be accurate but Rapid Electronics Limited assumes no responsibility for its accuracy or completeness, any error in or omission from it or for any use made of it. Users of this data sheet should check for themselves the Information and the suitability of the products for their purpose and not make any assumptions based on information included or omitted. Liability for loss or damage resulting from any reliance on the Information or use of it (including liability resulting from negligence or where Rapid Electronics Limited were aware of the possibility of such loss or damage arising) is excluded. This will not operate to limit or restrict Rapid Electronics Limited's liability for death or personal injury resulting from its negligence.