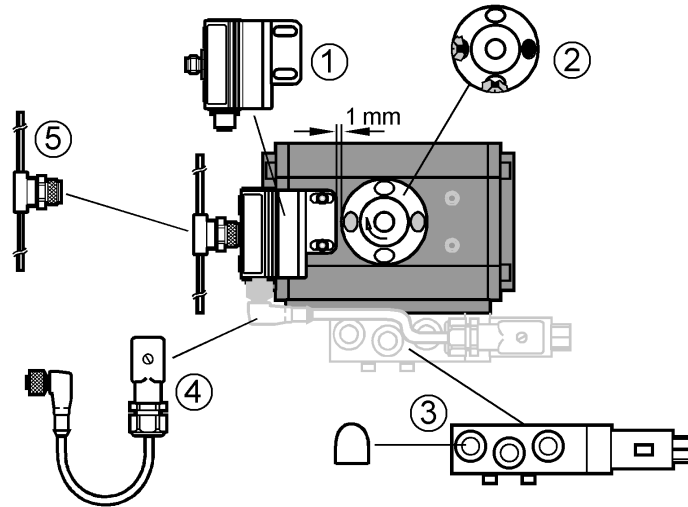


AC0017

Added Value package AS-i T5

Valve sensors



- 1: T5 connection (order no. AC2316)
- 2: Target puck (order no. E17320)
- 3: Bürkert solenoid valve type 6517 and 2 silencers 780780N
- 4: T5 jumper and valve plug (order no. E10844)
- 5: FC insulation displacement connector (order no. E70471)



Product characteristics

Added value package AS-i for pneumatic quarter-turn actuators

Connector

A/B slave

Shaft height 20 mm

Hole spacing 80 mm

Sensing range: 4mm [nf]

Electrical data

Electrical design	2 inputs / 1 output
Operating voltage [V]	26.5...31.6 DC *)
Total current consumption from AS-i [mA]	< 160

Outputs

Digital	
Output function	transistor PNP

Measuring / setting range

Sensing range [mm]	4
--------------------	---

AS-i classification

AS-i version	2.1
AS-i profile	S-7.A.E
I/O configuration [hex]	7
ID code [Hex]	A.E

Mechanical data

Mounting	non-flush mountable
Weight [kg]	0.863

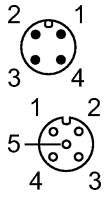
Electrical connection

Wiring

AC0017

Added Value package AS-i T5

Valve sensors



Electrical connection

1: AS-i+
3: AS-i -

Outputs

3: external voltage -
4: switching output +
1, 2, 5: not connected

Accessories

Accessories (included)	T5 connection (order no. AC2316); Target puck (order no. E17320); Bürkert solenoid valve type 6517 and 2 silencers 780780N; T5 jumper and valve plug (order no. E10844); FC insulation displacement connector (order no. E70471)
------------------------	--

Remarks

Remarks	*) cULus - Class 2 source required
---------	------------------------------------

Pack quantity	[piece]	1
---------------	---------	---