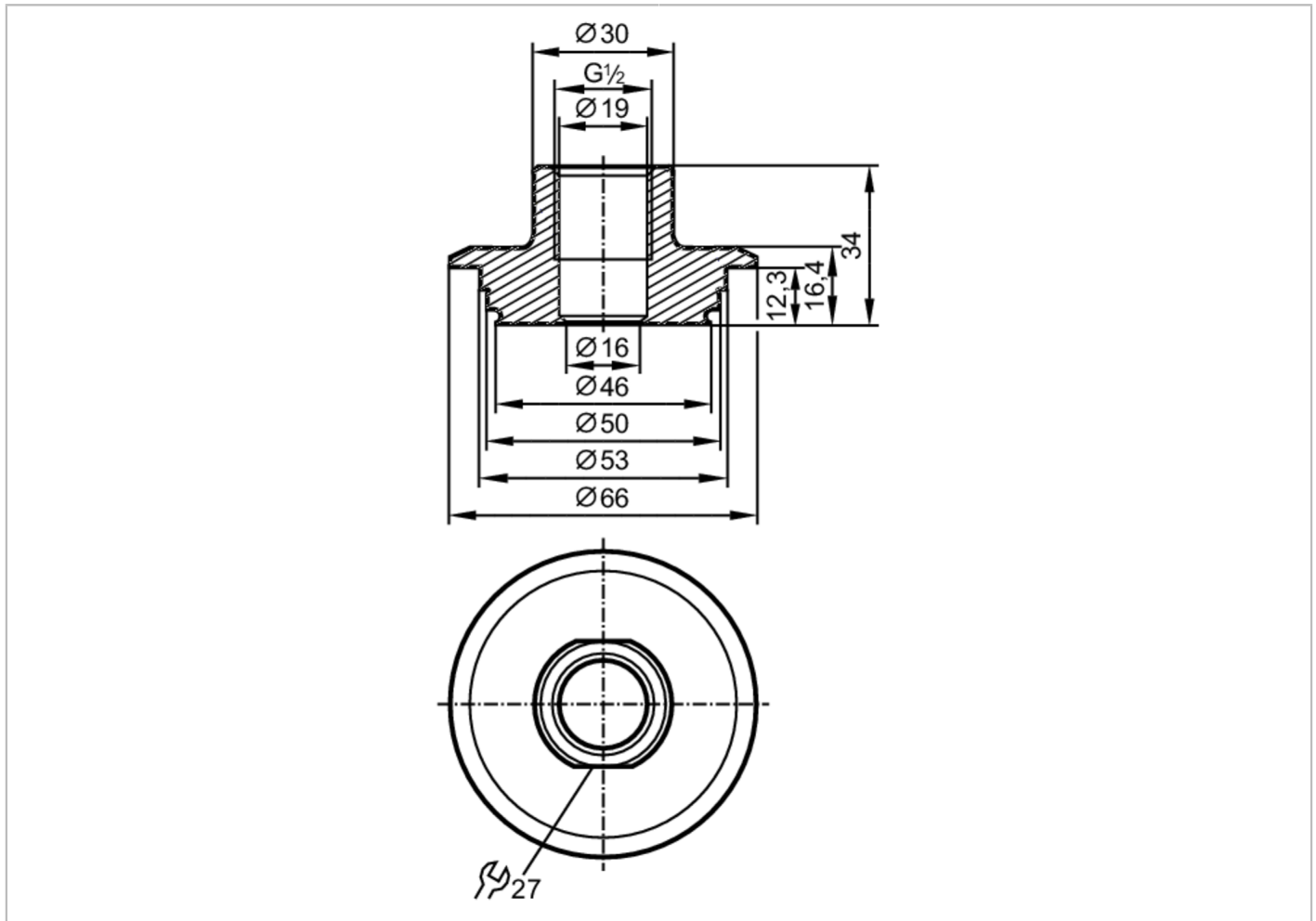


E43306



Process adapter Varivent

ADAPT G1/2-VARIVENT D50



EC 1935/2004 EHEDG Certified FCM FDA

Application	
Pressure rating	[bar] 25
Mechanical data	
Weight	[g] 367
Materials	stainless steel (1.4435 / 316L)
Sensor connection	G 1/2
Process connection	Varivent Form F, DN25 (1"), D = 50
Surface characteristics Ra/Rz of the wetted parts	0.4 / 4
Remarks	
Pack quantity	1 pcs.