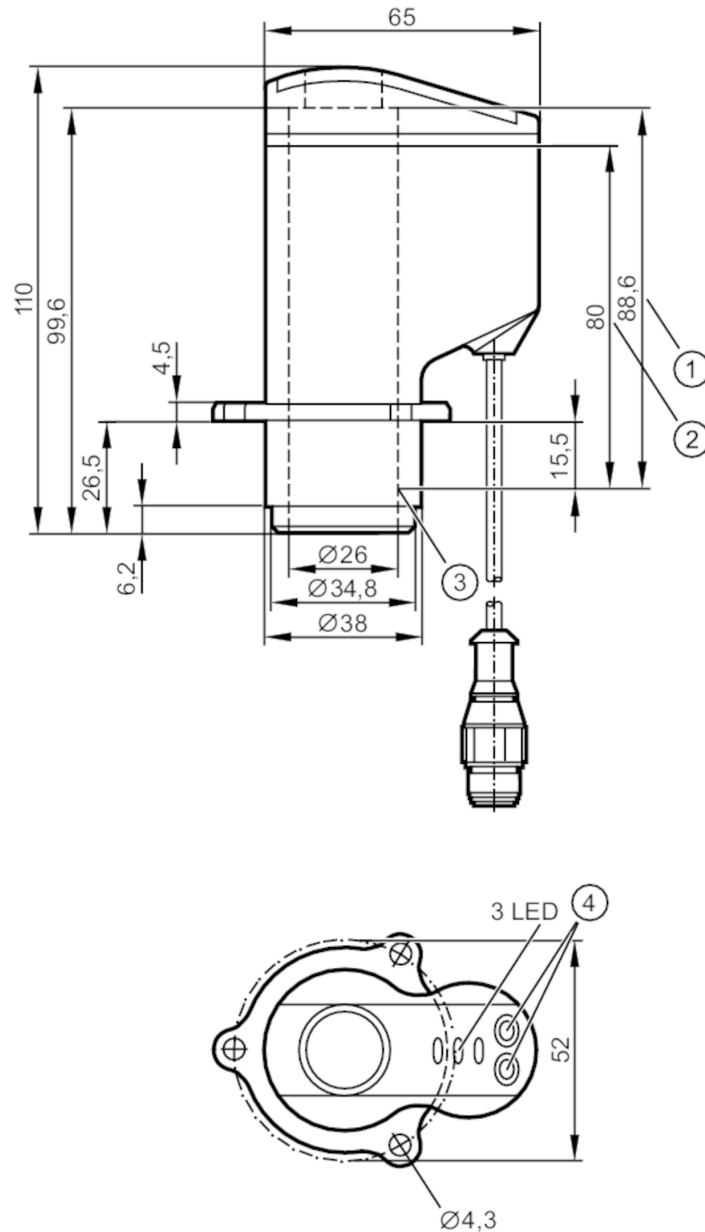


# IX5030



## Position sensor for rising stem valves

IX-2080-AS-i/0,15M/US



- 1 max. spindle stroke
- 2 measuring distance
- 3 initial value of the measuring range zero point
- 4 programming buttons



### Product characteristics

Electrical design	AS-i
Dimensions [mm]	65 x 52 x 110

### Application

Application	position feedback for linear single and double seat valves; absolute distance measurement; monitoring of the valve seal
-------------	----------------------------------------------------------------------------------------------------------------------------

# IX5030



## Position sensor for rising stem valves

IX-2080-AS-i/0,15M/US

Electrical data					
Operating voltage	[V]	26.5...31.6 DC			
Current consumption	[mA]	< 50			
Protection class		III			
Reverse polarity protection		yes			
Max. power-on delay time	[ms]	2000			
Outputs					
Electrical design		AS-i			
Detection zone					
Measuring range	[mm]	0...80			
Max. target speed	[m/s]	1			
Resolution of valve stroke	[mm]	0.2			
Target	-	cylindrical disc			
	-	Ø 24 mm ±0,05 mm			
	-	minimum height 10 mm			
	-	flat surface			
-	stainless steel to DIN17440, material number 316S12.				
Software / programming					
Parameter setting options		3 switch points to be freely defined within the measuring range			
Operating conditions					
Ambient temperature	[°C]	-25...70			
Protection		IP 65; IP 67; (only in conjunction with an installation in the valve head that provides sufficient protection against mechanical damage of the sensor)			
Tests / approvals					
MTTF	[years]	281			
AS-i classification					
AS-i version		3.0			
Extended addressing mode possible		yes			
AS-i I/O configuration	[hex]	0			
AS-i ID code	[hex]	A.F			
AS-i certificate pending		yes			
Assignment of the data bits	Designation	close	seat	open	not used
	status = 0	plunger outside the 'close' zone	plunger outside the 'seat' zone	plunger outside the 'open' zone	default value
status = 1	plunger inside the 'close' zone	plunger inside the 'seat' zone	plunger inside the 'open' zone	-	
Mechanical data					
Weight	[g]	219.5			
Type of mounting		3-hole flange			
Dimensions	[mm]	65 x 52 x 110			
Materials		PA; TPE; PP; LCP			

# IX5030



## Position sensor for rising stem valves

IX-2080-AS-i/0,15M/US

### Displays / operating elements

Display	switching status	1 x LED, green open
	switching status	1 x LED, yellow seat
	switching status	1 x LED, red close
	operation	1 x LED, green AS-i voltage
	error	1 x LED, red

### Accessories

Accessories (supplied)	screws: 3
------------------------	-----------

### Remarks

Pack quantity	1 pcs.
---------------	--------

### Electrical connection - plug

Cable: 0.15 m, PVC; 2 x 0.14 mm<sup>2</sup>

Connector: 1 x M12



### Connection

