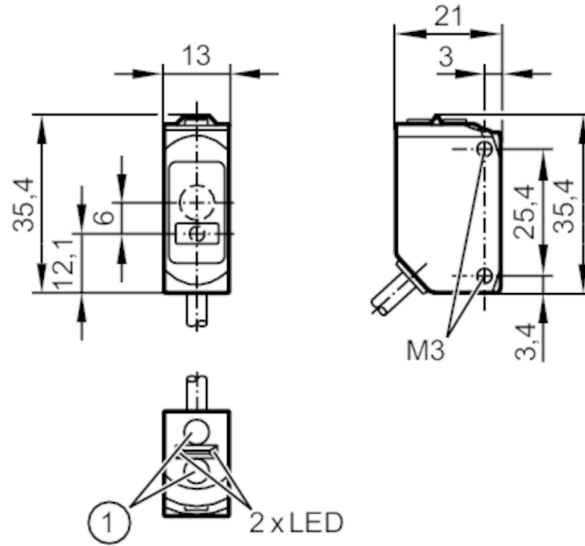


O6P703



Retro-reflective sensor

O6PLFNKG



- 1 programming buttons
receiver in upper lens , transmitter in lower lens



Product characteristics

Type of light	red light
Communication interface	IO-Link
Laser protection class	1
Housing	rectangular
Dimensions [mm]	35.4 x 13 x 21

Application

Function principle	Retro-reflective sensor
--------------------	-------------------------

Electrical data

Operating voltage [V]	10...30 DC
Current consumption [mA]	15; (24 V)
Protection class	III
Reverse polarity protection	yes
Type of light	red light
Wave length [nm]	650

Outputs

Electrical design	NPN
Output function	light-on/dark-on mode; (selectable)
Max. voltage drop switching output DC [V]	2.5
Permanent current rating of switching output DC [mA]	100
Switching frequency DC [Hz]	1000
Type of short-circuit protection	pulsed

O6P703



Retro-reflective sensor

O6PLFNKG

Detection zone		
Range	[m]	0.075...8; (referred to prismatic reflector 50x 50 mm (E20722))
Max. light spot diameter	[mm]	17
Light spot dimensions refer to		at maximum range
Interfaces		
Communication interface		IO-Link
Transmission type		COM2 (38,4 kBaud)
IO-Link revision		1.1
SDCI standard		IEC 61131-9
IO-Link device ID		525d / 00020D h
Profiles		Smart Sensor: Device Identification; Device Diagnosis; Teach Channel; Binary Data Channel
SIO mode		yes
Required master port type		A
Operating conditions		
Ambient temperature	[°C]	-10...60
Protection		IP 65; IP 67
Tests / approvals		
EMC		EN 60947-5-2
Laser protection class		1
Notes on laser protection	Caution:	laser light
	laser class:	1
		EN / IEC60825-1:2007
		EN / IEC60825-1:2014
		Complies with 21 CFR 1040 except for deviations pursuant to Laser Notice No. 50, dated June 2007.
MTTF	[years]	636
Mechanical data		
Weight	[g]	60.7
Housing		rectangular
Dimensions	[mm]	35.4 x 13 x 21
Materials		housing: ABS; PPSU; Sealing: EPDM
Lens material		PMMA
Lens alignment		side lens
Tightening torque	[Nm]	0.5; (screws)
Displays / operating elements		
Display	switching status	1 x LED, yellow
	operation	1 x LED, green
Remarks		
Remarks		operating voltage "supply class 2" according to cULus
Pack quantity		1 pcs.

O6P703



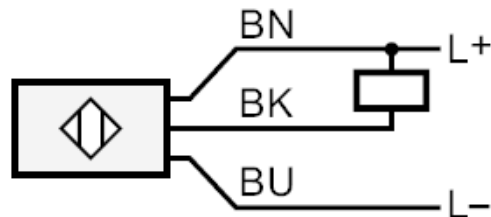
Retro-reflective sensor

O6PLFNKG

Electrical connection

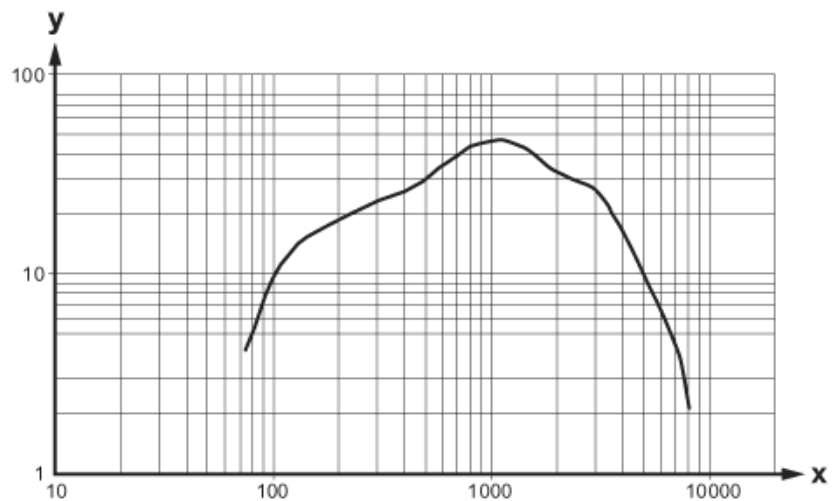
Cable: 2 m, PUR, black, \varnothing 3.7 mm; 3 x 0.25 mm²

Connection



BK	OUT / IO-Link
	Core colours :
BN =	brown
BK =	black
BU =	blue

Diagrams and graphs



x: Abstand [mm]

y: Funktionsreservfaktor