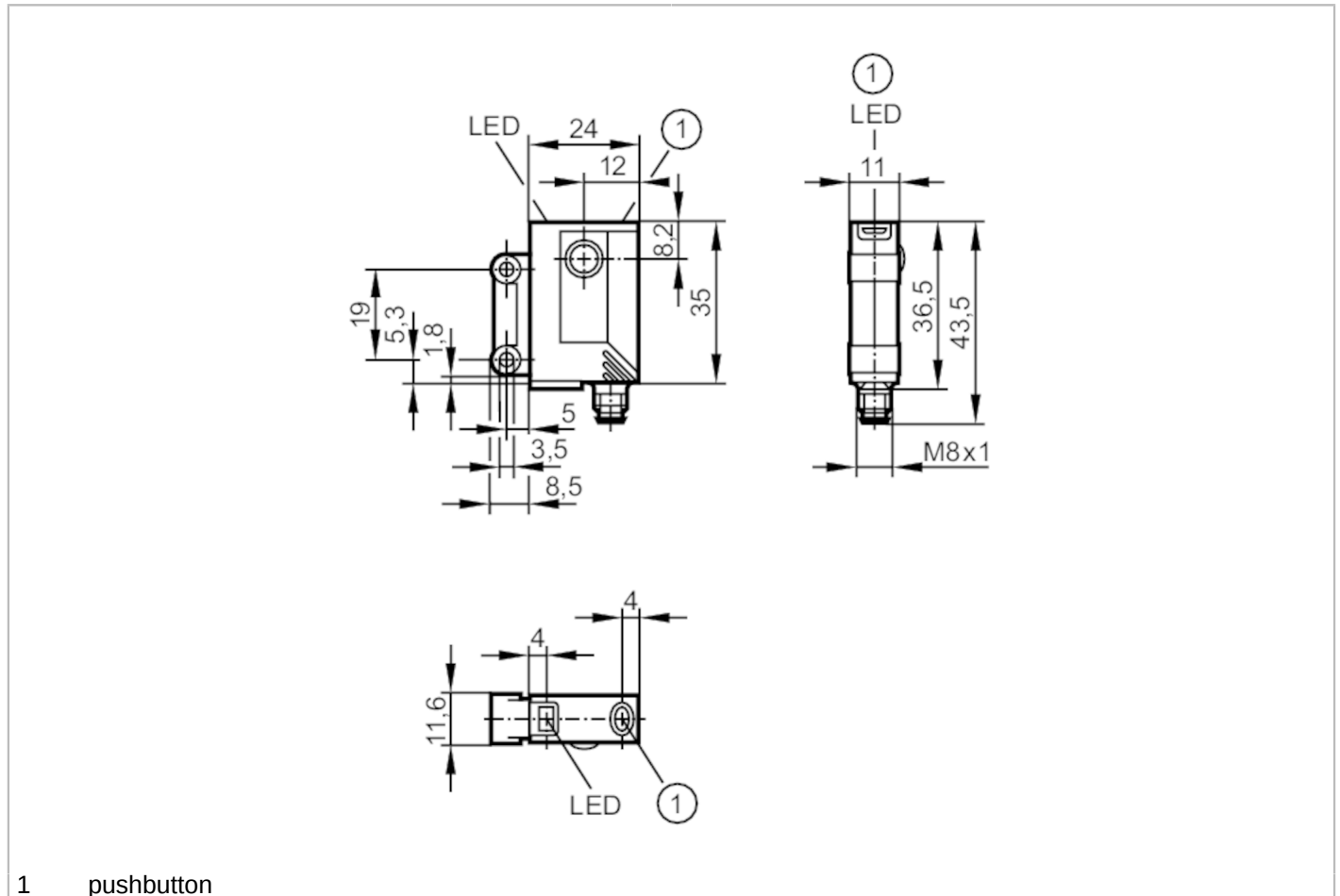




Through-beam laser sensor receiver

OJELFPKG/FO/AS



1 pushbutton



Product characteristics

Type of light	red light
Laser protection class	1
Housing	rectangular
Dimensions [mm]	35 x 24 x 11

Application

Function principle	Through-beam sensor
--------------------	---------------------

Electrical data

Operating voltage [V]	10...30 DC
Current consumption [mA]	< 12
Protection class	III
Reverse polarity protection	yes
Type of light	red light
Wave length [nm]	650
Typ. lifetime [h]	50000



Through-beam laser sensor receiver

OJELFPKG/FO/AS

Outputs		
Electrical design	PNP	
Output function	light-on/dark-on mode; (programmable)	
Max. voltage drop switching output DC [V]	2.5	
Permanent current rating of switching output DC [mA]	200	
Switching frequency DC [Hz]	1200	
Short-circuit protection	yes	
Type of short-circuit protection	pulsed	
Overload protection	yes	
Detection zone		
Transmitter / receiver	receiver	
Range [m]	< 15	
Range adjustable	yes	
Diameter of the smallest detectable object [mm]	2	
Operating conditions		
Ambient temperature [°C]	-10...60	
Protection	IP 67	
Tests / approvals		
EMC	EN 60947-5-2	
Laser protection class	1	
Notes on laser protection	Caution:	laser light
	laser class:	1
		EN / IEC60825-1:2007
		EN / IEC60825-1:2014
	Complies with 21 CFR 1040 except for deviations pursuant to Laser Notice No. 50, dated June 2007.	
MTTF [years]	968	
Mechanical data		
Weight [g]	39.8	
Housing	rectangular	
Dimensions [mm]	35 x 24 x 11	
Materials	housing: ABS; LED window: SEPS; pushbutton: SEPS	
Lens material	glass	
Lens alignment	front lens	
Displays / operating elements		
Display	switching status	1 x LED, yellow
	operation	1 x LED, green
	function	1 x LED, red
Electronic lock	yes	

OJ5117



Through-beam laser sensor receiver

OJELFPKG/FO/AS

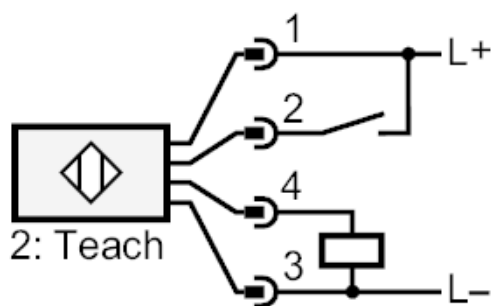
Accessories	
Accessories (supplied)	screws: 2 x spring washers: 2 x Nuts: 2 x
Remarks	
Remarks	operating voltage "supply class 2" according to cULus
Pack quantity	1 pcs.

Electrical connection

Connector: 1 x M8



Connection



2 Teach



Through-beam laser sensor receiver

OJELFPKG/FO/AS

Diagrams and graphs

excess gain graph

