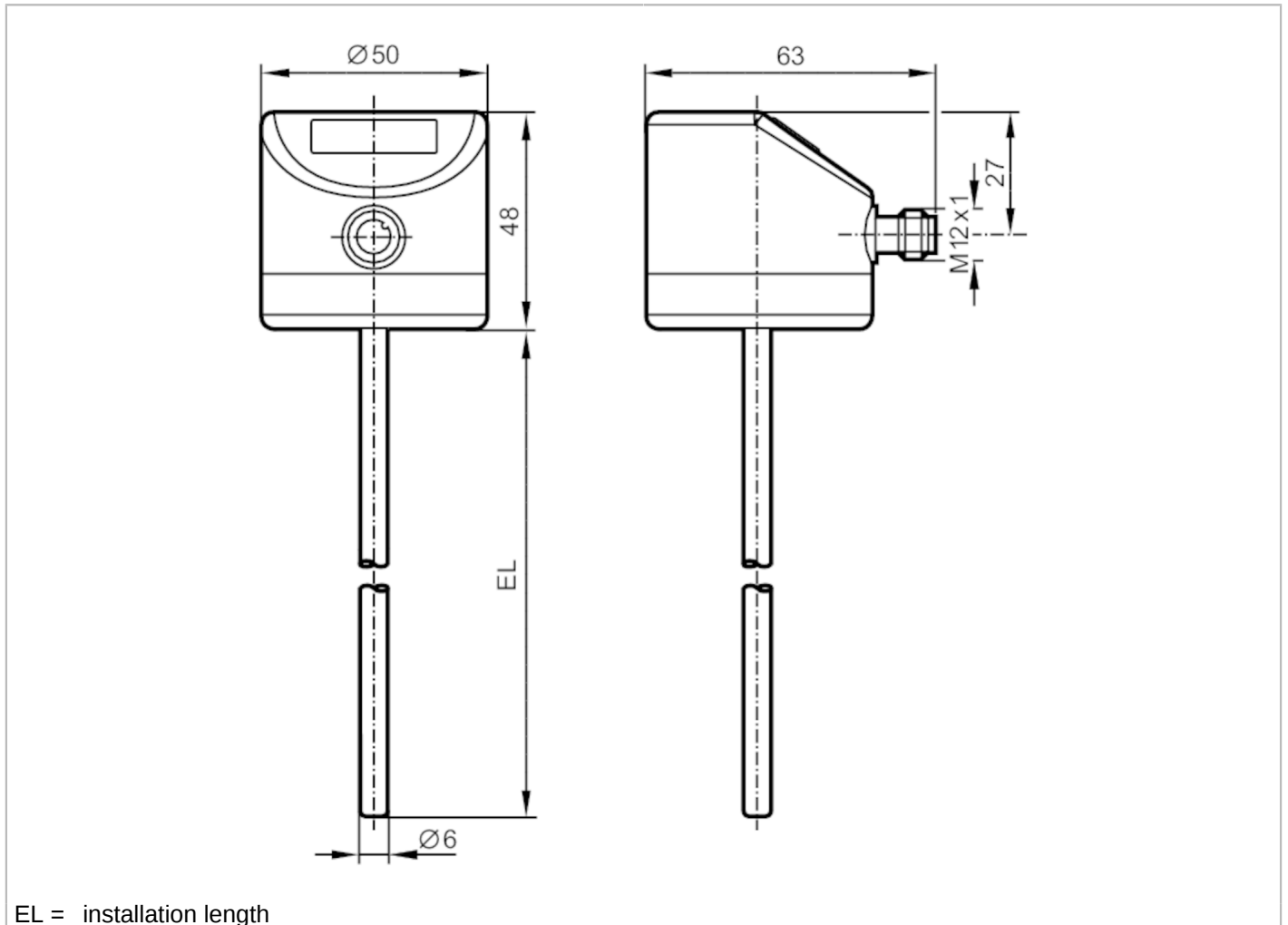


# TD2241



## Temperature transmitter with display

TD-150CFED06-A-ZVG/US



EL = installation length

EC 1935/2004 EHEDG Certified

| Product characteristics      |   |
|------------------------------|---|
| Number of inputs and outputs | Number of analogue outputs: 1           |
| Measuring range              | -50...150 °C      -58...302 °F          |
| Process connection           | diameter Ø 6 mm                         |
| Installation length EL [mm]  | 150                                     |
| Application                  |   |
| Measuring element            | 1 x Pt 1000; (to DIN EN 60751, class A) |
| Media                        | liquids and gases                       |
| Pressure rating [bar]        | 160                                     |
| Vacuum resistance [mbar]     | -1000                                   |
| Electrical data              |   |
| Operating voltage [V]        | 18...32 DC; ("supply class 2" to cULus) |
| Current consumption [mA]     | < 50                                    |
| Protection class             | III                                     |
| Reverse polarity protection  | yes                                     |
| Power-on delay time [s]      | 2                                       |

# TD2241



## Temperature transmitter with display

TD-150CFED06-A-ZVG/US

| Inputs / outputs                               |   |                     |
|--|---|---------------------|
| Number of inputs and outputs                   | Number of analogue outputs: 1   |                     |
| Outputs  |   |                     |
| Total number of outputs                        | 1   |                     |
| Output signal                                  | analogue signal; IO-Link; (configurable)  |                     |
| Number of analogue outputs                     | 1   |                     |
| Analogue current output [mA]                   | 4...20  |                     |
| Max. load [ $\Omega$ ]                         | 300   |                     |
| Short-circuit protection                       | yes   |                     |
| Overload protection                            | yes   |                     |
| Measuring/setting range                        |   |                     |
| Measuring range                                | -50...150 °C  | -58...302 °F        |
| Factory setting                                | -10...150 °C  |                     |
| Resolution                                     |   |                     |
| Resolution of analogue output [K]              | 0.04  |                     |
| Resolution of display [K]                      | 0.1   |                     |
| Accuracy / deviations                          |   |                     |
| Precision analogue output [K]                  | $\pm 0,3 + (\pm 0,1 \% MS)$   |                     |
| Temperature coefficient [% of the span / 10 K] | 0,1; (in case of deviation from the reference condition 25 °C)  |                     |
| Response times                                 |   |                     |
| Dynamic response T05 / T09 [s]                 | 1 / 3   |                     |
| Interfaces                                     |   |                     |
| Communication interface                        | IO-Link   |                     |
| Transmission type                              | COM2 (38,4 kBaud)   |                     |
| IO-Link revision                               | 1.1   |                     |
| Operating conditions                           |   |                     |
| Ambient temperature [°C]                       | -25...80  |                     |
| Storage temperature [°C]                       | -40...100   |                     |
| Protection                                     | IP 67; IP 68; IP 69K  |                     |
| Tests / approvals                              |   |                     |
| EMC  | DIN EN 61000-6-2  |                     |
|  | DIN EN 61000-6-3  |                     |
| Shock resistance                               | DIN IEC 68-2-27   | 50 g (11 ms)        |
| Vibration resistance                           | DIN IEC 68-2-6  | 10 g (10...2000 Hz) |
| MTTF [years]                                   | 407   |                     |
| Note on approval                               | factory certificate available as download at <a href="http://www.factory-certificate.ifm">www.factory-certificate.ifm</a> |                     |
| UL approval                                    | UL Approval no.   | K001                |

# TD2241



## Temperature transmitter with display

TD-150CFED06-A-ZVG/US

| Mechanical data                                   |      |   |
|---|------|---|
| Weight  | [g]  | 340.5   |
| Dimensions  | [mm] | Ø 6   |
| Materials   |      | stainless steel (1.4404 / 316L); PEI; FKM       |
| Materials (wetted parts)                          |      | stainless steel (1.4404 / 316L) electropolished |
| Process connection                                |      | diameter Ø 6 mm                                 |
| Surface characteristics Ra/Rz of the wetted parts |      | Ra: < 0.8                                       |
| Probe diameter                                    | [mm] | 6   |
| Installation length EL                            | [mm] | 150   |

| Displays / operating elements |  |   |
|-------------------------------|--|---|
| Display                       |  | 7-segment LED display, 4-digit display unit / status, °C / °F |

| Remarks       |  |  |
|---------------|--|--|
| Remarks       |  | MS = set measuring span<br>The values for accuracy apply to flowing water. |
| Pack quantity |  | 1 pcs.   |

### Electrical connection

Connector: 1 x M12



### Connection

