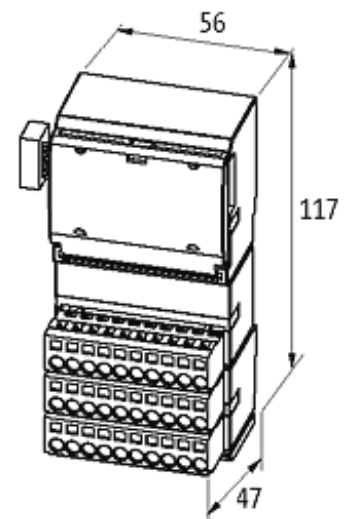
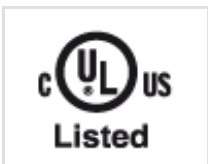


CUBE20 AI4 U/I

Expansion module
AI4 - (E) I
Voltage/current

[Link to Product](#)**Illustration**

Product may differ from Image

Approvals

Input	
Conversion time (analog)	max. 2 ms (per channel)
Resolution (analog)	15 Bit + sign
Accuracy	max. 0.3 %
Connection	Differential voltage/current input
Internal communication	
Module Supply	via system connection
Current consumption	max. 25 mA from system, max. 60 mA externally (UI)
Connections	
Fieldbus	Ribbon cable connection
Sensor-system/actuator supply	4 × Spring clamp terminals, max. 2.5 mm ² (max. 12 A)
I/O ports	24 × Spring clamp plug-in terminals, max. 2.5 mm ²
Technical Data	
Operating voltage	24 V DC (EN 61131-2)
General data	
Protection	IP20
Mounting method	DIN-rail mountable (EN 60715)
Temperature range	0...+55 °C (storage temperature -40...+85 °C)
Dimensions H × W × D	117×56×47 mm
Voltage inputs	
Input resistor	min. 1 MOhm, (EN 61131-2)
Input range	±10 V DC, 0...10 V DC
Current input signals	
Load	max. 300 Ohm (20 mA), (EN 61131-2)
Input range	0...20 mA, 4...20 mA
Diagnostic	
Communication status	via LED
Diagnostic via LED	per module
Diagnostic via BUS	per module and channel
Monitoring - under voltage	yes
Monitoring - no voltage	no
Short circuit and overload	yes
Wire break upper/lower limit overload	per channel via LED and BUS
Commercial data	
country of origin	DE
customs tariff number	85176200
minimum order quantity	1