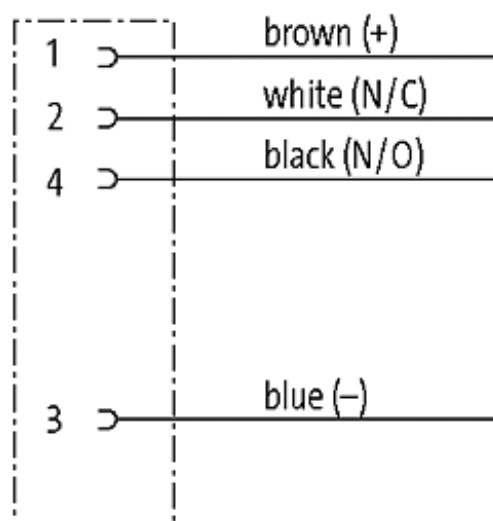
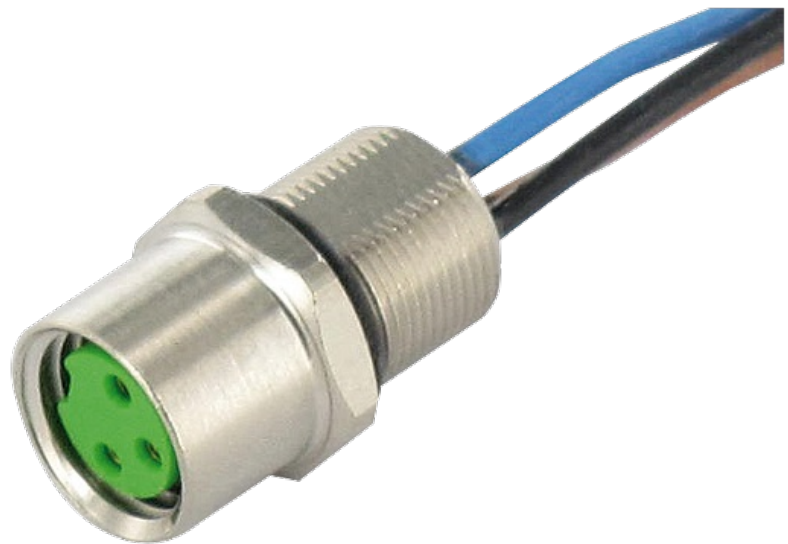


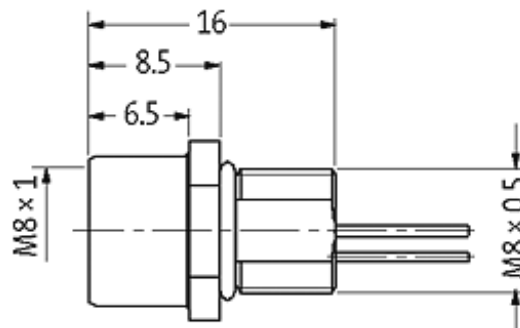
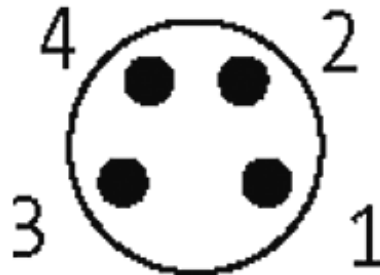
M8 female receptacle front mount incl. nut

wires PP 4x0,25 1m

Flange M8 female
4-pole
Front mounting
Mounting nut
with multi-strand wire

[Link to Product](#)**Illustration**

Female



Product may differ from Image

Form

08583

Technical Data

| | |
|-------------------------------|--|
| Operating voltage | max. 30 V AC/DC |
| Operating current per contact | max. 4 A |
| Locking of ports | Screw thread M8 × 1 mm (recommended torque 0.4 Nm) self-securing |
| Protection | IP67 inserted and tightened (EN 60529) |

Cables

| | |
|-----------------------------|--------------------------|
| Cable number | 969 |
| No./diameter of wires | 4 × 0.25 mm ² |
| Wire isolation | PP (br, wh, bl, bk) |
| Shore hardness outer jacket | 70 ± 5D |
| Outer diameter | approx. 1.25 mm |
| Bend radius (fixed) | 5 × outer Ø |
| Bend radius (moving) | 10 × outer Ø |
| Temperature range (fixed) | -40...+80 °C |
| Temperature range (mobile) | -25...+80 °C |

Commercial data

| | |
|------------------------|----------|
| country of origin | DE |
| customs tariff number | 85444290 |
| minimum order quantity | 1 |