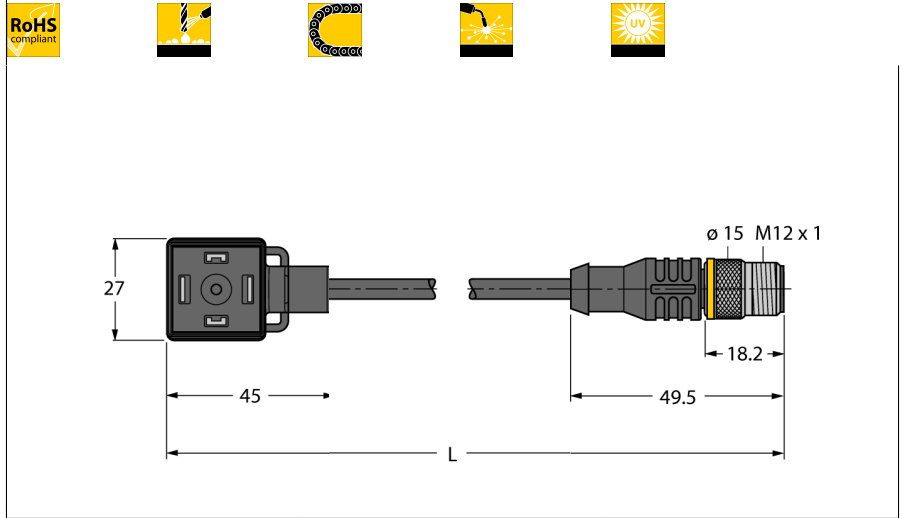


**Valve connector A type**  
**Extension Cable**  
**VAS22-S80E-5-RSC5.31T/TXL**

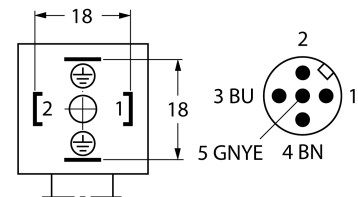


- 2-pin + PE
- Design according to the DIN EN 175301-803
- RoHS conform
- Protection class: IP67 and IP69K
- Protective component: Transil diode
- M12 male, straight, 2-pin + PE
- Sheath material: PUR
- Sheath color: black
- Qualified for drag chain use
- Resistant to weld splatter
- Resistant to chemicals and oils
- UV and ozone resistance
- Flame retardant
- Free from halogen, silicone, PVC and LABS
- Cable length: 5.0 m

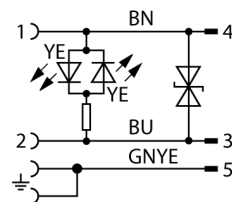
|                         |                           |
|-------------------------|---------------------------|
| <b>Type designation</b> | VAS22-S80E-5-RSC5.31T/TXL |
| Ident no.               | 6606510                   |

|                         |                                 |
|-------------------------|---------------------------------|
| <b>Connector A side</b> | Valve connector, Design A       |
| Number of pins          | 2+PE, PE bridged                |
| Contacts                | Metal, CuSn, Silver-plated      |
| Contact carriers        | Plastic, PA, Black              |
| Grip                    | Plastic, TPU, Black/Translucent |
| Protective component    | Transil diode                   |
| Seal                    | Plastic, TPU                    |
| Protection class        | IP67, IP69K, (mounted)          |
| Display switch state    | LED yellow/yellow               |
| Mechanical lifespan     | > 100 Mating cycles             |
| Pollution degree        | 3                               |

**Pin Assignment**



**Circuit Diagram**



|                         |                                      |
|-------------------------|--------------------------------------|
| <b>Connector B side</b> | Connector, M12 x 1, Straight         |
| Number of pins          | 2+PE pins                            |
| Contacts                | metal, CuZn, Gold-plated             |
| Contact carriers        | Plastic, TPU, Black                  |
| Grip                    | Plastic, TPU, Black                  |
| Coupling nut/screw      | Brass, CuZn, Nickel-plated           |
| Protection class        | IP67, IP69K, Only when screwed tight |
| Mechanical lifespan     | > 100 Mating cycles                  |
| Pollution degree        | 3                                    |
| Tightening torque       | 0.8 ... 1 Nm                         |

|                        |                       |
|------------------------|-----------------------|
| <b>General data</b>    |                       |
| Cable diameter         | 5.2 ± 0.20mm          |
| Cable length           | 5 m                   |
| Cable quality          | PUR                   |
| Cable color            | Black                 |
| Core insulation        | PP                    |
| Core colors            | BN, BU, GNYE          |
| Core cross-section     | 3x0.34mm <sup>2</sup> |
| Arrangement of strands | 42x0.1 mm             |

|                                      |              |
|--------------------------------------|--------------|
| <b>Electrical features at +20 °C</b> |              |
| Current                              | 4 A          |
| Rated voltage                        | 24 V         |
| Insulation resistance                | > 1 MΩ/km    |
| Test voltage                         | 2000 V       |
| Forward resistance                   | max. 57 Ω/km |

## Valve connector A type Extension Cable VAS22-S80E-5-RSC5.31T/TXL

---

**Mechanical and chemical properties**

|                                    |                              |
|------------------------------------|------------------------------|
| Max. tensile strength (static)     | ≤ 50 N/mm <sup>2</sup>       |
| Max. tensile strength (dynamic)    | ≤ 20 N/mm <sup>2</sup>       |
| Bending cycles                     | > 5 mil.                     |
| Bending radius (stationary laying) | > 5 x Ø                      |
| Bending radius (flexible use)      | > 10 x Ø                     |
| Admissible acceleration            | max. 5 m/s <sup>2</sup>      |
| Admissible travel path, horizontal | 5 m (at 5 m/s <sup>2</sup> ) |
| Admissible travel path, vertical   | 2 m (at 5 m/s <sup>2</sup> ) |
| Admissible traversing speed        | 3.3 m/s                      |
| Torsional stress                   | ± 180 °/m                    |
| Ambient temperature                |                              |
| Stationary                         | -50...+80°C                  |
| In motion                          | -30...+90°C                  |
| Drag chain operation               | -25...+60°C                  |