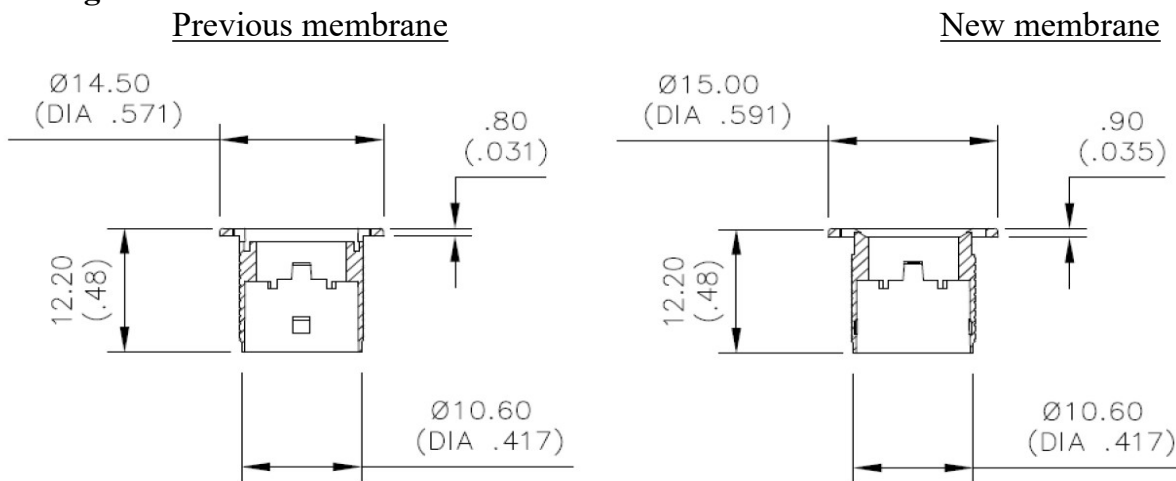


Product Change Notification
IX series: design enhanced

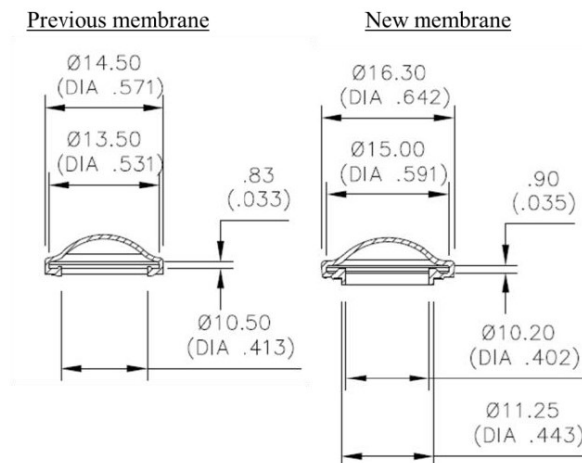
APEM has modified the IX design to enhance the membrane fixing with the bushing. The current product is compliant with the specifications and can continued to be used. The next generation design offers a new membrane, which reinforces the performances of the membrane bond. Electrical and mechanical characteristics remain identical on the datasheet. These modifications will impact four points:

- Bushing dimensions
- Membrane shape
- Panel cut out
- IX codification: ~~IXR~~ will be replaced by ~~IXP~~

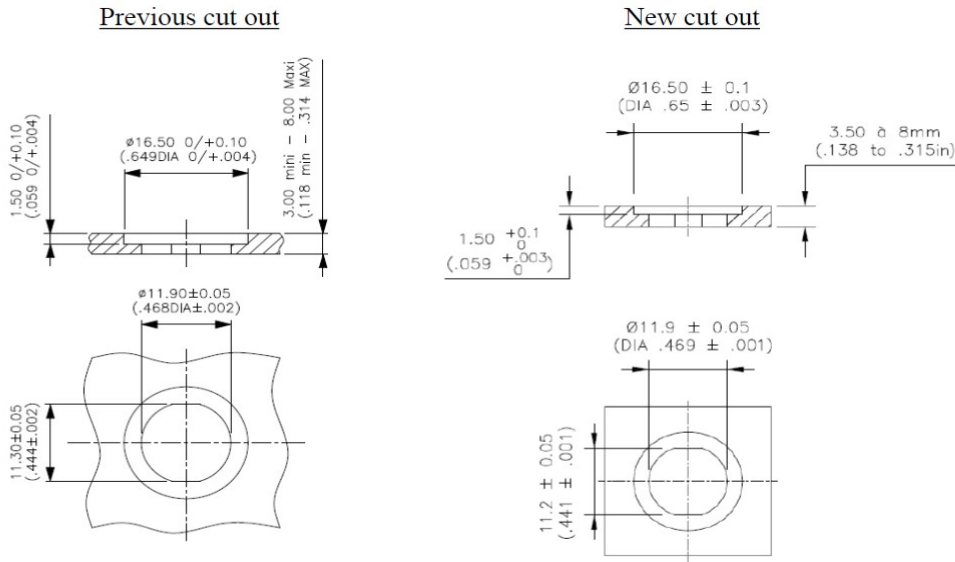
Bushing dimensions



Membrane shape



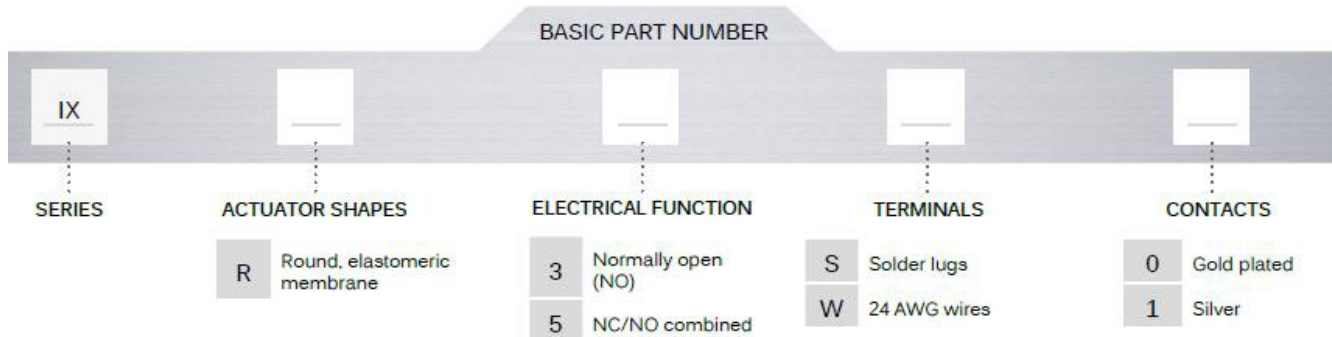
Recommended panel cut out



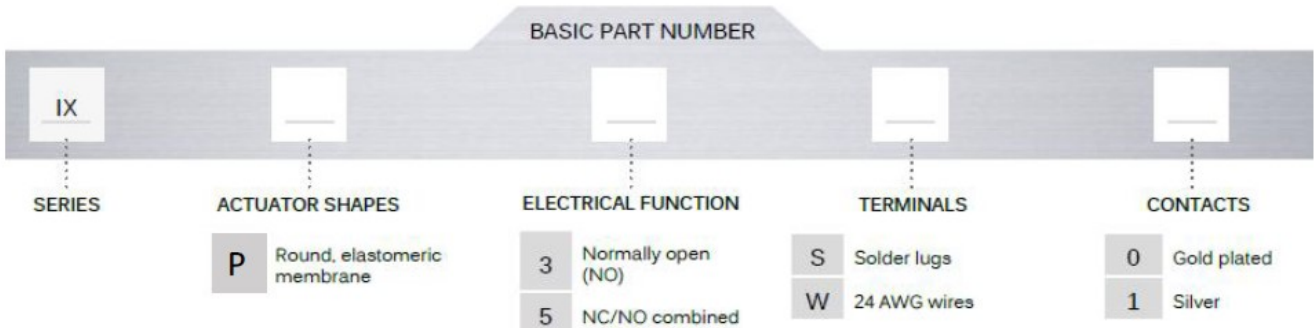
IXP will be compliant with the previous panel cut out, IXR can be mounted on the new panel cut out.

Part number codification

- Previous codification:



- New codification :





Regards,
Ryan Chiarelli
Product Manager – Switches & Indicators