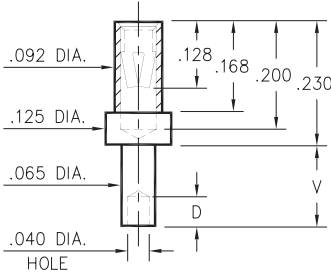


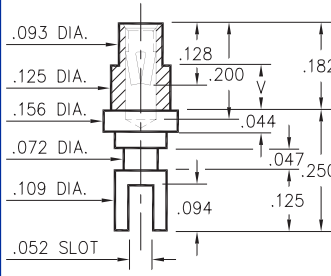
### 0344



Basic Part Number	Board Thickness	Length V	Depth D
0344-1	.031	.062	.040
0344-2	.062	.094	.062
0344-3	.094	.125	.062
0344-4	.125	.156	.062

**0344-X-19-XX-34-XX-10-0**  
Swage mount in .067 hole

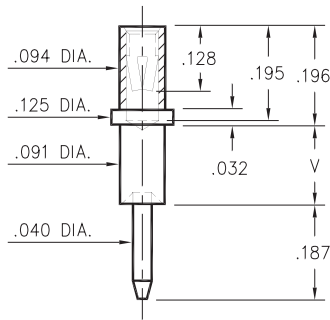
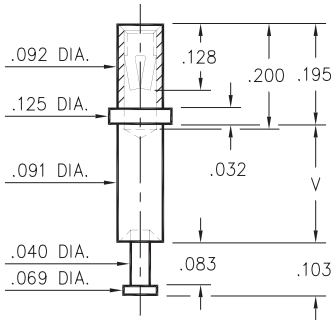
### 0349



Basic Part Number	Board Thickness	Length V
0349-2	.062	.094
0349-3	.094	.125
0349-4	.125	.156

**0349-X-31-XX-34-XX-10-0**  
Swage mount in .129 hole

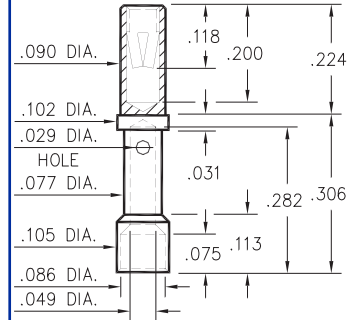
### 0323/0324



Basic Part Number	Board Thickness	Length V
032X-1	.031	.062
032X-2	.062	.094
032X-3	.094	.125
032X-4	.125	.156
032X-5	.188	.219

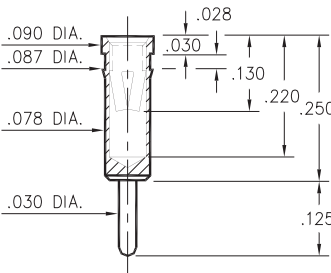
**0323-X-15-XX-34-XX-10-0**  
Swage mount in .094 hole

### 0348



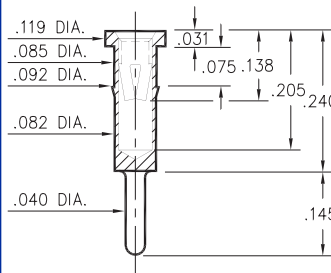
**0348-0-33-XX-34-XX-10-0**  
#20A Crimp Barrel

### 0405



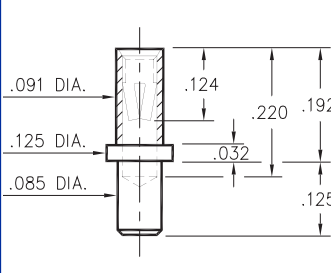
**0405-0-15-XX-34-XX-04-0**  
Press-fit in .084 mounting hole

### 0336



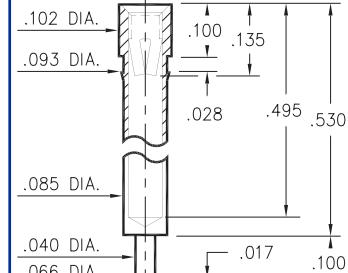
**0336-0-15-XX-34-XX-04-0**  
Press-fit in .089 mounting hole

### 0322



**0322-0-15-XX-34-XX-10-0**  
Solder mount in .089 min. mounting hole

### 0325



**0325-0-15-XX-34-XX-10-0**  
Press-fit in .090 mounting hole

#### SPECIFICATIONS

**SHELL MATERIAL:**  
Brass Alloy 360, 1/2 Hard

**CONTACT MATERIAL:**  
Beryllium Copper Alloy 172, HT

**DIMENSION IN INCHES**  
**TOLERANCES ON:**  
LENGTHS: ±.005  
DIAMETERS: ±.002  
ANGLES: ± 2°

#### ORDER CODE: XXXX - X - XX - XX - 34 - XX - XX - 0

**BASIC PART #** →

**SPECIFY SHELL FINISH:** →

**01** 200μ" TIN/LEAD OVER NICKEL  
**15** 10μ" GOLD OVER NICKEL

**SPECIFY CONTACT FINISH:** →

**01** 200μ" TIN/LEAD OVER NICKEL  
**14** 10μ" GOLD OVER NICKEL  
**27** 30μ" GOLD OVER NICKEL

↑  
**CONTACT**

**#34 CONTACT (DATA ON PAGE 212)**