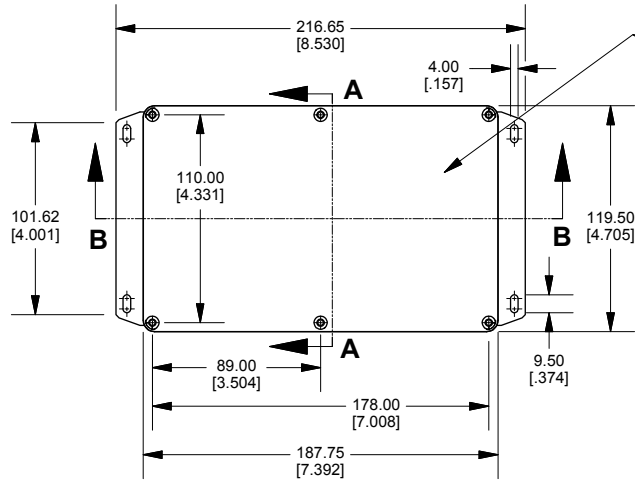
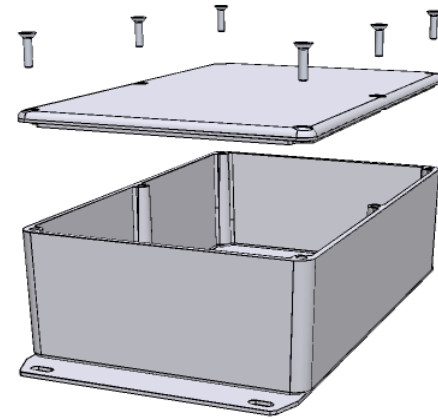
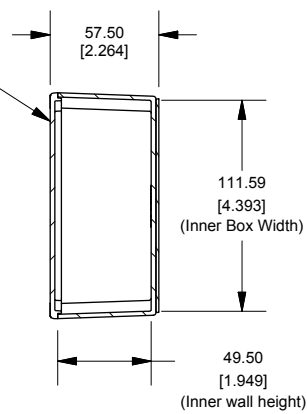


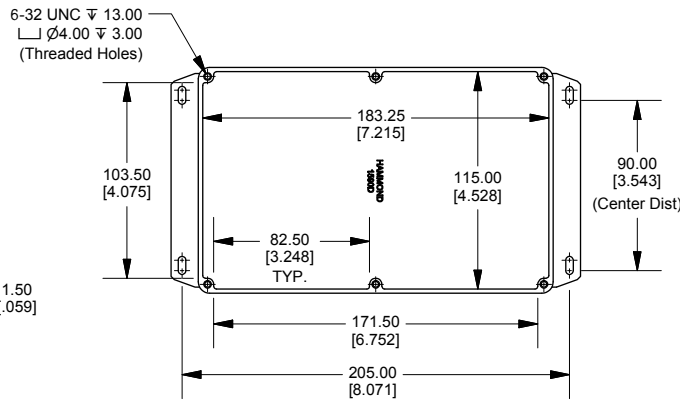
Top View of Assembly



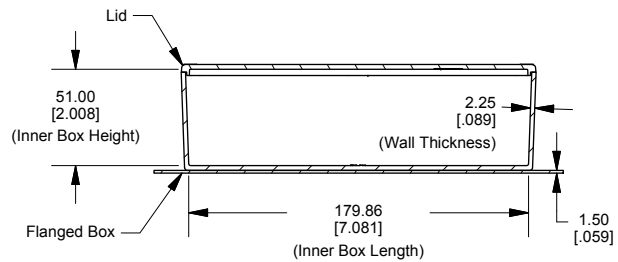
SECTION A-A  
End View of Assembly



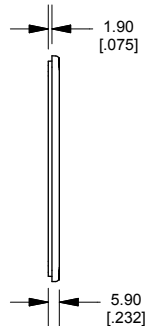
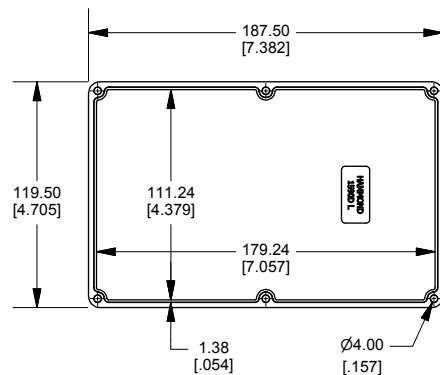
Top View Looking Inside Box



SECTION B-B  
Side View of Assembly



Lid



Enclosures can be Factory Modified ( Milling, Drilling, Printing etc.)  
 Contact Factory [mjm@hammondmfg.com](mailto:mjm@hammondmfg.com) for quotes  
 Solid models of this enclosure available in STEP or IGES.

**NOTE**  
 Purchased assembly includes box, lid and 6 cover screws.  
 Box and lid are made from Diecast Aluminum Alloy.  
 Silicone Gasket supplied with liquid resistant enclosure.  
 Bottom Flange is Welded.

PART NUMBERS	
<b>1590DF Enclosure</b>	
Natural Finish Enclosure	1590DF
Black Textured Enclosure	1590DFBK
<b>1590DF Liquid Resistant Enclosure (Silicone Gasket)</b>	
Natural Finish Enclosure	1590W DF
Black Textured Enclosure	1590WDFBK
<b>ACCESSORIES</b>	
<b>Recommended Torque: 75 ozf.in / 55 cN.m</b>	
<b>Liquid Resistant Cover Screws</b>	
Stainless Steel Cover Screws (Pkg 100) [6-32 x 1/2" With O-Ring]	1590W MS 100
Black Stainless Steel Cover Screws (Pkg 100) [6-32 x 1/2" With O-Ring]	1590W MS 100BK
<b>Standard Cover Screws</b>	
Plated Cover Screws (Pkg 100) [6-32 x 1/2"]	1590MS 100
Black Cover Screws (Pkg 100) [6-32 x 1/2"]	1590MS100BK

**HAMMOND  
MANUFACTURING™**

**1590DF**

www.hammondmfg.com

Dimensions:  
mm  
[inches]