

Mar.15<sup>th</sup>, 2019

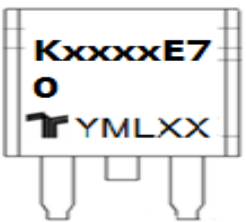
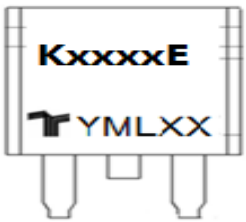
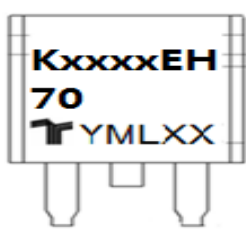
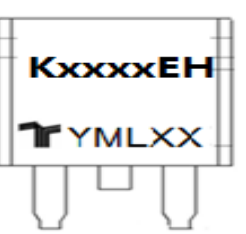
**Notification of TO92-2L SIDAC Marking Change**

To our valued customers,

Littelfuse would like to notify you of a Marking change in TO92-2L SIDAC.

We found the marking discrepancy between the assembly and definition on datasheet in Mar, 2018, correction of marking spec in assembly drawing and final implement finished on Jul 30<sup>th</sup>, 2018.

The information provided below shows a marking nomenclature change for affected package.

Package Type	Before	After
TO92-2L		
		

This change is for Marking only. There are no applicable fit or function changes.

Form, Fit and Function Changes: Marking Change only

Part Number Changes: None

Effective Date: Jun.30<sup>th</sup>, 2018

Reliability Data: n/a

Electrical Data: n/a

This notification is for your information only. If you have any other questions or concerns, please feel free to contact your local Sales Office.

We value your business and look forward to assisting you whenever possible.

Sincerely and Best Regards,  
 Sophia Lv  
 Global Assistant Product Manager  
 Power Thyristor Discrete Family  
 Semiconductor Business Unit, Wuxi, China  
 +86 510 85277701 - 7967  
 slv@littelfuse.com

## Appendix- Affected Part List

<b>Littelfuse Part Number</b>	<b>Symbolization</b>
K0900E70	K0900E
K0900E70AP	K0900E
K0900E70RP2	K0900E
K0900E70RP3	K0900E
K1050E70	K1050E
K1050E70AP	K1050E
K1050E70RP2	K1050E
K1050E70RP3	K1050E
K1100E70	K1100E
K1100E70AP	K1100E
K1100E70RP2	K1100E
K1100E70RP3	K1100E
K1200E70	K1200E
K1200E70AP	K1200E
K1200E70RP2	K1200E
K1200E70RP3	K1200E
K1300E70	K1300E
K1300E70AP	K1300E
K1300E70RP2	K1300E
K1300E70RP3	K1300E
K1400E70	K1400E
K1400E70AP	K1400E
K1400E70RP2	K1400E
K1400E70RP3	K1400E
K143K1050E70	K1050E
K1500E70	K1500E
K1500E70AP	K1500E
K1500E70RP2	K1500E
K1500E70RP3	K1500E
K2000E70	K2000E
K2000E70AP	K2000E
K2000E70RP2	K2000E
K2000E70RP3	K2000E
K2000EH70	K2000EH
K2000EH70AP	K2000EH
K2000EH70RP2	K2000EH
K2000EH70RP3	K2000EH
K2200E70	K2200E
K2200E70AP	K2200E
K2200E70RP2	K2200E

---

K2200E70RP3	K2200E
K2200EH70	K2200EH
K2200EH70AP	K2200EH
K2200EH70RP2	K2200EH
K2200EH70RP3	K2200EH
K237K1500E70	K1500E
K2400E70	K2400E
K2400E70AP	K2400E
K2400E70RP2	K2400E
K2400E70RP3	K2400E
K2400EH70	K2400EH
K2400EH70AP	K2400EH
K2400EH70RP2	K2400EH
K2400EH70RP3	K2400EH
K2500E70	K2500E
K2500E70AP	K2500E
K2500E70RP2	K2500E
K2500E70RP3	K2500E
K2500EH70	K2500EH
K2500EH70AP	K2500EH
K2500EH70RP2	K2500EH
K2500EH70RP3	K2500EH
K304K1500E70RP2	K1500E
K304K1500E70AP	K1500E
K317K2000E70	K2000E
K324K1500E70RP2	K1500E