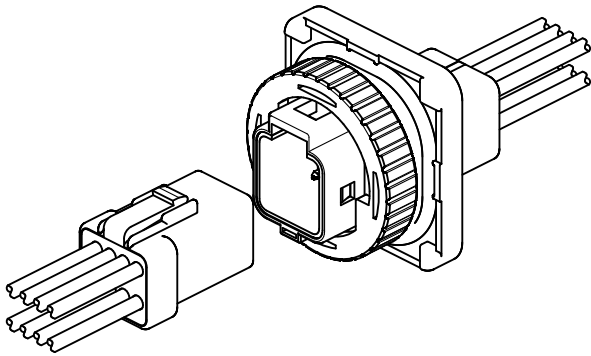


JWPF CONNECTOR

2.0 mm pitch / Wire-to-wire connectors (Waterproof type) / Panel lock type



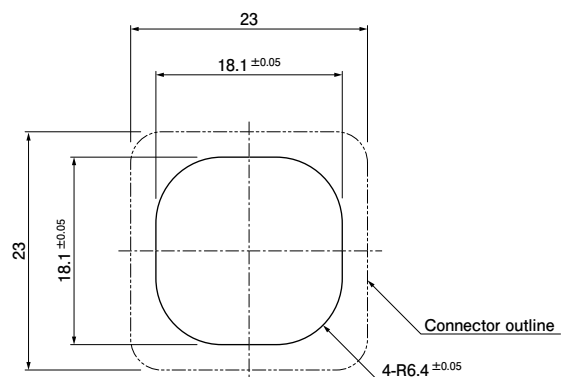
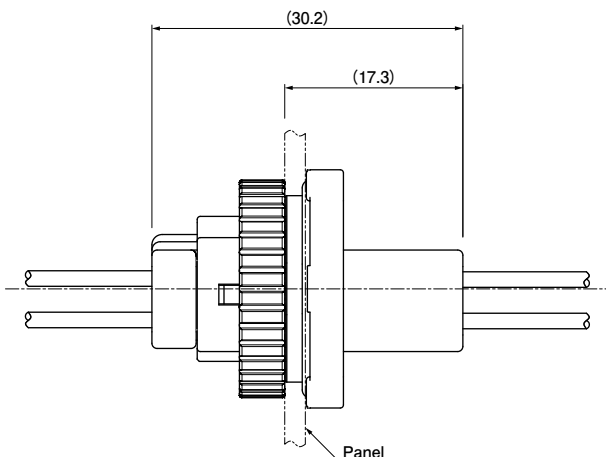
This is a 2.0 mm pitch wire-to-wire connector of the panel lock type with grade 7 of ingress protection of JIS C 0920 (IPX7 of IEC 60529), suitable for use for the place of which waterproof is required.

- Waterproof (immersion-proof type)
- Panel lock type
- Pre-installed seal ring
- A method of plugging by seal rubber plate in bulk
- Double-spring construction
- Housing lance
- Inner lock structure

■ Specifications

- Current rating: 3 A AC/DC (AWG #22)
 - Voltage rating: 100 V AC/DC
 - Temperature range: -55°C to +85°C
(including temperature rise in applying electrical current)
 - Contact resistance:
Initial value/ 10 mΩ max.
After environmental tests/ 15 mΩ max.
 - Insulation resistance:
Initial value/ 1,000 MΩ min.
After environmental tests/ 100 MΩ min.
 - Withstanding voltage: 500 VAC/minute
 - Applicable wire: Conductor size/AWG #26 to #22
Insulation O.D./ ϕ 1.4 to ϕ 1.7 mm
 - Waterproof grade: Grade 7 ingress protection of JIS C 0920 (IPX7 of IEC 60529)
 - Applicable panel: Thickness/ 1.2 ± 0.05 mm
 2.0 ± 0.05 mm
Surface roughness/ R_z 1.6 μ m max.
- * In using the products, refer to "Handling Precaution for Terminal and Connector" described on our website (Technical documents of Product information page).
- * It does not comply with the Electrical Appliance and Material Safety Law. (Applicable only in Japan)
- * RoHS2 compliance
- * Dimensional unit: mm
- * Contact JST for details.

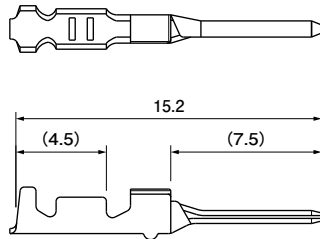
Panel layout and Assembly layout



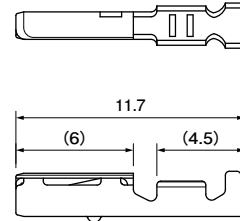
JWPF CONNECTOR

Contact

Tab contact



Receptacle contact



Tab contact

Model No.	Applicable wire range		Q'ty/ reel
	Conductor size AWG (mm ²)	Insulation O.D. (mm)	
SWPT-001T-P025	#26 to #22 (0.13 to 0.33)	1.4 to 1.7	8,200

Material and Finish

Phosphor bronze, tin-plated

Receptacle contact

Model No.	Applicable wire range		Q'ty/ reel
	Conductor size AWG (mm ²)	Insulation O.D. (mm)	
SWPR-001T-P025	#26 to #22 (0.13 to 0.33)	1.4 to 1.7	8,200

Material and Finish

Copper alloy, tin-plated

RoHS2 compliance

RoHS2 compliance

Crimping machine

Contact	Crimping machine	Applicator	Crimp applicator with dies
SWPT-001T-P025	AP-K2N	MKS-L	APLMK SWPR/T001-025

Note: Contact JST for fully automatic crimping applicator.

Crimping machine

Contact	Crimping machine	Applicator	Crimp applicator with dies
SWPR-001T-P025	AP-K2N	MKS-L	APLMK SWPR/T001-025

Note: Contact JST for fully automatic crimping applicator.

Housing assembly

Tab housing assembly (for tab contact)

No. of circuits	Model No.	Shape and Dimensions (mm)	Applicable panel thickness (mm)	Color	Q'ty/bag
8	08TP-JWPF-VSLE-D-A		1.2±0.05	Natural (white)	100
	08TP-JWPF-VKLE-D		2.0±0.05	Black	100

Material and Finish

Tab housing: Thermoplastic resin, UL94V-0, natural (white) / black
 Seal ring holder: Thermoplastic resin, UL94V-0, yellow
 Seal ring A: Silicone rubber, blue
 Seal ring B: Silicone rubber, blue
 Seal rubber plate: Silicone rubber, light blue

RoHS2 compliance

Note: Seal ring holder, seal ring A, seal ring B and seal rubber plate are preassembled in tab housing assembly.

JWPF CONNECTOR

Housing assembly

Receptacle housing assembly (for receptacle contact)

No. of circuits	Model No.	Shape and Dimensions (mm)	Color	Q'ty/bag
8	08R-JWPF-VSLE-D		Natural (white)	1,000

Material and Finish

Receptacle housing: Thermoplastic resin, UL94V-0, natural (white)
 Seal rubber plate: Silicone rubber, light blue

RoHS2 compliance

Note: Seal rubber plate is preassembled in receptacle housing assembly.

Tab cover housing

No. of circuits	Model No.	Shape and Dimensions (mm)	Color	Q'ty/bag
8	08TPC-JWPF-VK-D		Black	400

Material and Finish

Thermoplastic resin, UL94V-0, black

RoHS2 compliance

Model number allocation

Tab contact

S WP T - 001 T - P 025

Form: S··Strip form

Series name

Type of contact: T··Tab

Applicable wire range: AWG #26 to #22

Surface finish: T··Tin-plated

Material: P··Phosphor bronze

Contact size

Receptacle contact

S WP R - 001 T - P 025

Form: S··Strip form

Series name

Type of contact: R··Receptacle

Applicable wire range: AWG #26 to #22

Surface finish: T··Tin-plated

Material: P····Copper alloy

Applicable contact size

Tab housing assembly

08 TP - JWPF - V K LE - D - ■

No. of circuits

Part name:
Tab housing (Panel lock type)

Series name

Flammability: V··UL94V-0

Housing color:
S··Natural (White) / for panel thickness 1.2 mm
K··Black / for panel thickness 2.0 mm

Seal rubber plate color: LE··Light blue

Number of rows in circuits: D··Dual rows

Applicable panel thickness: A··1.2 mm, No indication··2.0 mm

Receptacle housing assembly

08 R - JWPF - V S LE - D

No. of circuits

Part name: Receptacle housing

Series name

Flammability: V··UL94V-0

Housing color: S··Natural

Seal rubber plate color: LE··Light blue

Number of rows in circuits: D··Dual rows

Tab cover housing

08 THC - JWPF - V K - D

No. of circuits

Part name:
Cover for tab housing assembly

Series name

Flammability: V··UL94V-0

Color: K··Black

Supplementary symbol